

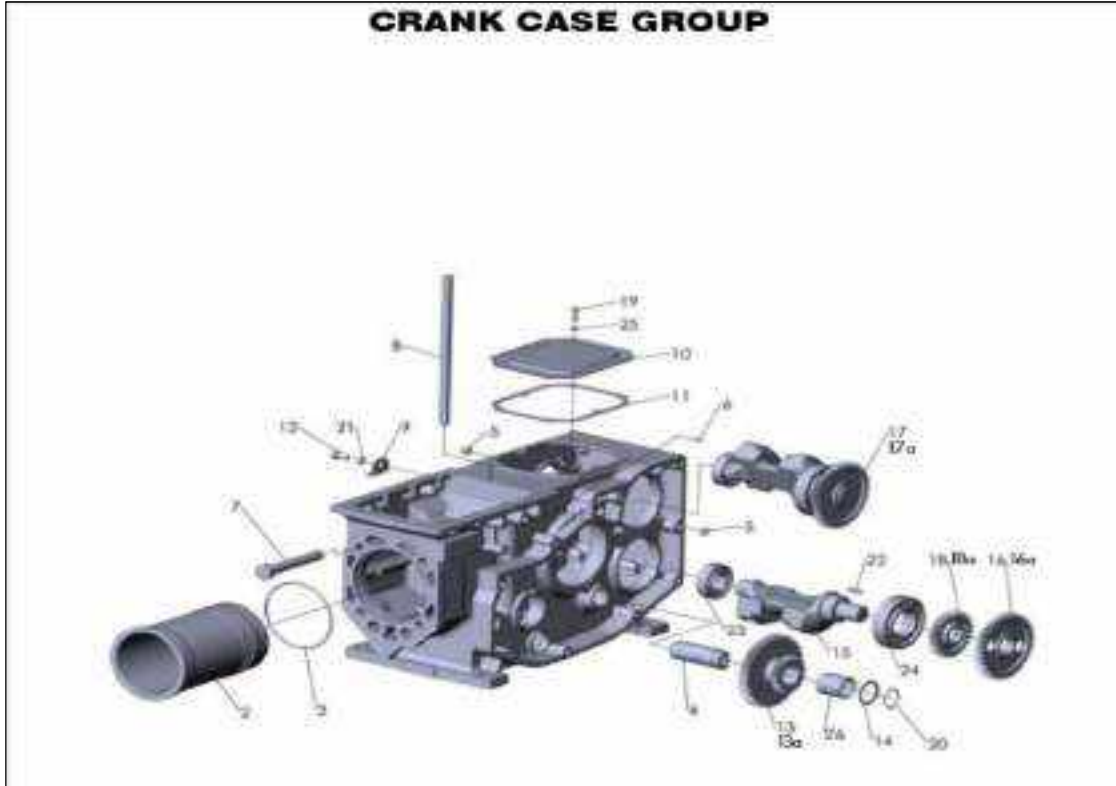


# ***VIRAT 13HP***

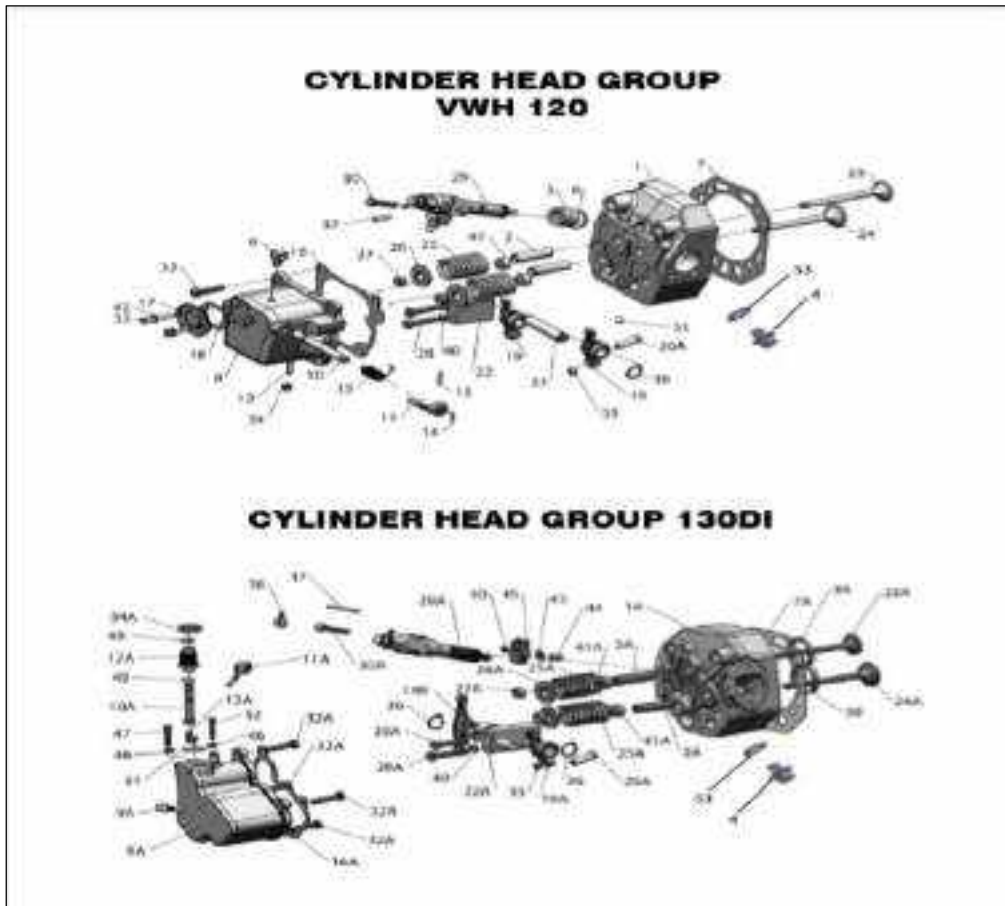
## ***POWER TILLER***

### ***PARTS CATALOGUE***

## CRANK CASE GROUP



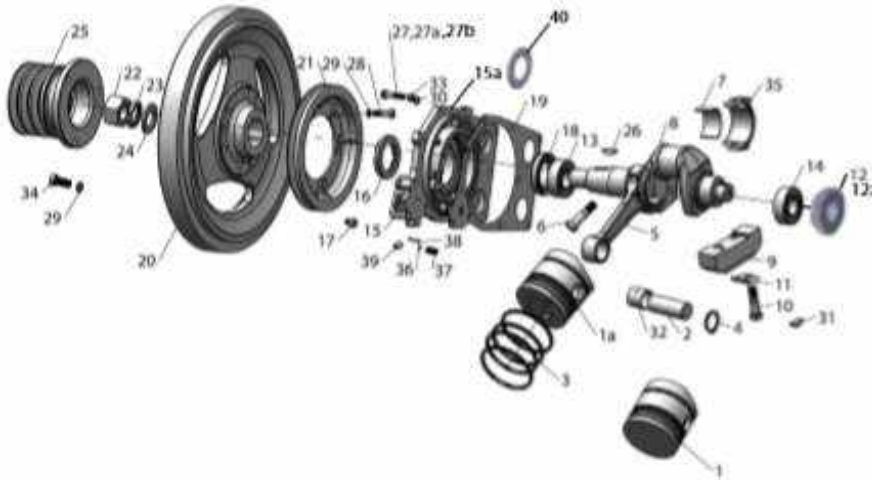
CRANK CASE GROUP							
SL.NO.	PART NO	PART NAME	ERP CODE	MODEL	REMARKS	Dir Part no	SAP Part no
				QTY.			
				Virat 13HP			
1	V5010100101	Case, crank	SPPTVTEN010010	1		ACA01C00680	ACA01C00680A0
2	V1010100333	Liner, cylinder	SPPTVTEN010020	1		ACA01C00700	ACA01C00700A0
3	V1010100541	'O' Ring	SPPTVTEN010030	2		MRA1003100G	MRA1003100GA0
4	K8811311	Shaft, idler gear	SPPTVTEN010040	1		ACA01C00690	ACA01C00690A0
5	M5471104	Knock bush	SPPTVTEN010050	3		MGG0840900G	MGG0840900GA0
6	05301004010	Pin, grooved	SPPTVTEN010060	1		MPG0401000B	MPG0401000BA0
7	MF101355	Bolt, cylinder head	SPPTVTEN010070	4		MBE1410000G	MBE1410000GA0
8	K8811150	Stud, bolt	SPPTVTEN010080	1		MDG1223700G	MDG1223700GA0
9	K8811161	Plate, bearing stopper	SPPTVTEN010090	1		ACA11C00980	ACA11C00980A0
10	V5010102030 P1	Cover, upper	SPPTVTEN010100	1		ACA01C00881	ACA01C00881A0
11	K8813762	Gasket, upper cover	SPPTVTEN010110	1		ACA02C00070	ACA02C00070A0
12	M10008016	Bolt, bearing stopper	SPPTVTEN010120	1		MBA0801602B	MBA0801602BA0
13	V1010101821	Gear, idler (Helical)	SPPTVTEN010130	1		ACA01C00730	ACA01C00730A0
14	K8824330	Plate, distance	SPPTVTEN010140	1		ACA01C00720	ACA01C00720A0
15	V10101001X0	Shaft, Balancer Sub Assy	SPPTVTEN010150	1		ACA01A00100	ACA01A00100A0
16	V1010101921	Gear(A), balancer	SPPTVTEN010160	1		ACA01C00230	ACA01C00230A0
17	V1010102031	Gear(B), balancer	SPPTVTEN010170	1		ACA01C00250	ACA01C00250A0
18	V1010102131	Gear(C), balancer	SPPTVTEN010180	1		ACA01C00240	ACA01C00240A0
19	M10006016	Bolt	SPPTVTEN010190	6		MBA0601601B	MBA0601601BA0
20	MF522017	Snap ring	SPPTVTEN010200	1		MLS2801500G	MLS2801500GA0
21	M30408	Washer spring	SPPTVTEN010210	1		MWL0802003G	MWL0802003GA0
22	MF476023	Key, sunk	SPPTVTEN010220	2		MKA0520000G	MKA0520000GA0
23	A932502D	Bearing ball	SPPTVTEN010230	2		MEG2515001G	MEG2515001GA0
24	A932502G	Bearing ball	SPPTVTEN010240	2		MEG4018000G	MEG4018000GA0
25	M30406	Washer spring	SPPTVTEN010250	6		MWL0601502B	MWL0601502BA0
26	K7711092	Bush Idler gear	SPPTVTEN010260	1		ACA11C01390	ACA11C01390A0



CYLINDER HEAD GROUP							
SL.NO.	PART NO	PART NAME	ERP CODE	MODEL	REMARKS	Dir Part no	SAP Part no
				QTY.			
				Virat 13HP			
1	V5010100830	Cylinder Head sub assy.	SPPTVTEN020010	1		ACA01A00200	ACA01A00200A0
2	V5010100602	Cylinder Head	SPPTVTEN020020	1		ACA01C00540	ACA01C00540A0
3	V5010100540	Guide, valve	SPPTVTEN020030	2		ACA04C00220	ACA04C00220A0
4	V5010100940	Seat, valve Inlet	SPPTVTEN020040	1		ACA04C00100	ACA04C00100A0
5	V5010100740	Seat, valve exhaust	SPPTVTEN020050	1		ACA05C00050	ACA05C00050A0
6	M43510	Plug, water drain	SPPTVTEN020060	1		MUG0100004G	MUG0100004GA0
7	V1010101120	Gasket, cyl. Hd (GRA/SBS)	SPPTVTEN020070	1		ACA02C00060	ACA02C00060A0
8	V5010100213	Cover, rocker	SPPTVTEN020080	1		ACA01C00610	ACA01C00610A0
9	V5010100430	Elbow 90 Degree	SPPTVTEN020090	1		ACA01C00580	ACA01C00580A0
10	V5010401542	Pin, decompressor	SPPTVTEN020100	1		MPG0605500B	MPG0605500BA0
11	V5010401741	Lever, decompressor	SPPTVTEN020110	1		ACA01C00600	ACA01C00600A0
12	V5010401441	Holder Decompressor	SPPTVTEN020120	1		ACA01C00590	ACA01C00590A0
13	V5010401642	Spring, decompressor	SPPTVTEN020130	1		ACA01C00630	ACA01C00630A0
14	V5010100331	Gasket, rocker cover	SPPTVTEN020140	1		ACA01C00620	ACA01C00620A0
15	V5010301032	Rocker Arm Exhaust	SPPTVTEN020150	1		ACA01C00550	ACA01C00550A0
16	V5010301133	Rocker Arm Inlet	SPPTVTEN020160	1		ACA01C00570	ACA01C00570A0
17	V5010301640	Screw, adjusting	SPPTVTEN020170	2		MSG1003500G	MSG1003500GA0
18	V5010300231	Rocker Support	SPPTVTEN020180	1		ACA01C00560	ACA01C00560A0
19	V5010300431	Valve,inlet	SPPTVTEN020190	1		ACA01C00510	ACA01C00510A0
20	V5010300331	Valve,exhaust	SPPTVTEN020200	1		ACA01C00500	ACA01C00500A0
21	V5010300531	Spring valve	SPPTVTEN020210	2		ACA01C00520	ACA01C00520A0
22	V5010300630	Retainer, spring	SPPTVTEN020220	2		ACA01C00460	ACA01C00460A0
23	V5010300740	Valve , collet	SPPTVTEN020230	4		ACA01C00480	ACA01C00480A0
24	M10008070	Bolt	SPPTVTEN020240	2		MBA0807001B	MBA0807001BA0

25	V50104002X0	Nozzle & nozzle holder assy	SPPTVTEN020250	1		ACA02A00050	ACA02A00050A0
26	M10008045	Bolt	SPPTVTEN020260	1		MBA0804504B	MBA0804504BA0
27	M10006020	Bolt Hex Hd	SPPTVTEN020270	4		MBA0602001B	MBA0602001BA0
28	V5010401841	Nut, Decompressor	SPPTVTEN020280	1		MNA0807000B	MNA0807000BA0
29	M17010	Nut	SPPTVTEN020290	2		MNA1008001B	MNA1008001BA0
30	M18916	Snap Ring 16 mm	SPPTVTEN020300	2		MLS1600000G	MLS1600000GA0
31	V1010101641	Pipe over flow	SPPTVTEN020310	1		BCA06C00580	BCA06C00580A0
32	V1010101540	Union collar	SPPTVTEN020320	1		ACA02C00090	ACA02C00090A0
33	M30408	Washer, spring	SPPTVTEN020330	3		MWL0802003G	MWL0802003GA0
34	V5010300840	Seal Valve Stem	SPPTVTEN020340	2		ACA01C00470	ACA01C00470A0
35	V5010101641	Washer Injector Clamp	SPPTVTEN020350	1		MGG0903200G	MGG0903200GA2
36	V5010101540	Dowel Injector Clamp	SPPTVTEN020360	1		MPA0801600G	MPA0801600GA0
37	V5010101440	Injector Clamp	SPPTVTEN020370	1		ACA02C00250	ACA02C00250A0
38	M17006	Nut	SPPTVTEN020380	2		MNA0605501B	MNA0605501BA0
39	M10006035	Bolt hex head	SPPTVTEN020390	1		MBA0603501B	MBA0603501BA0
40	08300100150	O-ring	SPPTVTEN020400	1		MRA0152500G	MRA0152500GA0
41	08300100070	O-ring	SPPTVTEN020410	1		MRA0071900G	MRA0071900GA0
42	V50105003X0	Sealing washer	SPPTVTEN020420	1		MWN0000010G	MWN0000010GA0
43	V5010403140	Disc Spring Washer	SPPTVTEN020430	1		MWL2001300B	MWL2001300BA0
44	M10006025	Bolt Hex Head	SPPTVTEN020440	1		MBA0602500B	MBA0602500BA0
45	08330001001	Washer seal	SPPTVTEN020450	1		MWN0901800G	MWN0901800GA0

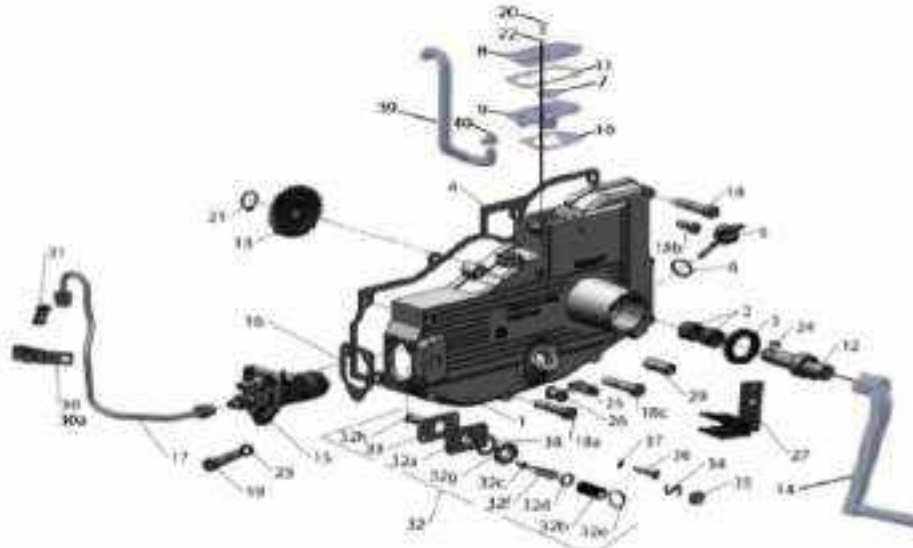
## PISTON, CRANK SHAFT GROUP



PISTON, CRANK SHAFT GROUP							
SL.NO.	PART NO	PART NAME		MODEL	REMARKS	Dir Part no	SAP Part no
				QTY.			
			ERP CODE	Virat 13HP			
1	V5010200111	Piston	SPPTVTEN030010	1		ACA11C01020	ACA11C01020A1
2	V1010200241	Pin, Piston	SPPTVTEN030020	1		MPG2807200G	MPG2807200GA0
3	V10102003X0	Ring, assy piston	SPPTVTEN030030	1		ACA11C01000	ACA11C01000A0
4	07410002800	Ring, snap	SPPTVTEN030040	2		MLS2801200G	MLS2801200GA0
5	K9622046	Rod, connecting	SPPTVTEN030050	1		ACA11C00990	ACA11C00990A0
6	MM404539	Bolt, con. rod	SPPTVTEN030060	2		MBG0000026G	MBG0000026GA0
7	MM310535	Metal, con. rod big end	SPPTVTEN030070	2No's		ACA11C01010	ACA11C01010A0
8	MM3105501	Shaft, crank	SPPTVTEN030080	1		ACA01A00060	ACA01A00060A0
9	V0010201130	Weight, counter	SPPTVTEN030090	2		ACA45C00690	ACA45C00690A0
10	K8823141	Bolt	SPPTVTEN030100	4		MBG0000027G	MBG0000027GA0
11	Z712033	Plate-lock	SPPTVTEN030110	2		AFA01C00619	AFA01C00619A0
12	V1010201431	Gear, crank shaft	SPPTVTEN030120	1		ACA01C00160	ACA01C00160A0
13	V0010200830	Bearing, roller 'B'	SPPTVTEN030130	1	NJ310	MEG5027000G	MEG5027000GA0
14	V0010200930	Bearing, roller 'A'	SPPTVTEN030140	1	NUP310	MEG5027001G	MEG5027001GA0
15	V00101201X0	Cover, right side Sub Assy	SPPTVTEN030150	1		ACA01A00080	ACA01A00080A0
16	MM3103803	Cover, right side	SPPTVTEN030160	1		ACA01C00750	ACA01C00750A0
17	MM310400	Oil, Seal	SPPTVTEN030170	2		ACA01C00200	ACA01C00200A0
18	K8110170	Connector	SPPTVTEN030180	2		ACA01C00190	ACA01C00190A0
19	K7713223	Oil, Seal	SPPTVTEN030190	1		ACA01C00220	ACA01C00220A0

20	MM3103851	Gasket, cover, right	SPPTVTEN030200	1		ACA01C00750	ACA01C00750A0
21	K8824114	Fly wheel	SPPTVTEN030210	1		ACA01C00440	ACA01C00440A0
22	V0010201320	Pulley (Fly wheel)	SPPTVTEN030220	1		ACA01C00450	ACA01C00450A0
23	ZK762413	Nut, Lock	SPPTVTEN030230	1		MNA3018000B	MNA3018000BA0
24	ZK822429	Washer, spring	SPPTVTEN030240	1		MWL3101500G	MWL3101500GA0
25	K7724140	Washer, plain	SPPTVTEN030250	1		MWA3205000G	MWA3205000GA0
26	V0010200730	Pulley, engine	SPPTVTEN030260	1		ACA02C00201	ACA02C00201A0
27	MF476234	Key, wood ruff (8X28)	SPPTVTEN030270	1		MKW2800800G	MKW2800800GA0
28	M10008025	Bolt Hex. head	SPPTVTEN030280	4		MBA0802504B	MBA0802504BA0
29	M10008035	Bolt Hex. head	SPPTVTEN030290	3		MBA0803502B	MBA0803502BA0
30	M10008040	Bolt Hex. head	SPPTVTEN030300	1		MBA0804003B	MBA0804003BA0
31	M100010020	Bolt Hex. head	SPPTVTEN030310	3		MBA1002003B	MBA1002003BA0
32	M30410	Washer, spring	SPPTVTEN030320	6		MWL1002503G	MWL1002503GA0
33	M30408	Washer, spring	SPPTVTEN030330	7		MWL0802003G	MWL0802003GA0
34	MF476039	Key, Sunk (7X1 6)	SPPTVTEN030340	1		MKA0716000G	MKA0716000GA0
35	K8822180	Bearing, small end	SPPTVTEN030350	1		ACA01C00890	ACA01C00890A0
36	M30008	Washer, plain	SPPTVTEN030360	1		MWA0801602G	MWA0801602GA0
37	M10010030	Bolt, Hex. head	SPPTVTEN030370	3		MBA1003002B	MBA1003002BA0
38	MM4045211	Cap, connecting rod	SPPTVTEN030380	1		ACA01C02550	ACA01C02550A0
39	M420308	Ball Steel	SPPTVTEN030390	1		MEB0800000G	MEB0800000GA0
40	K8813281	Spring, Oil Relief	SPPTVTEN030400	1		ACA01C00210	ACA01C00210A0
41	K8813291	Pin	SPPTVTEN030410	1		MPG0402801G	MPG0402801GA0
42	A6020101000	Plug taper	SPPTVTEN030420	2		MUT0000002G	MUT0000002GA0
43	MM310390	Retainer oil seal	SPPTVTEN030430	1		ACA01C00170	ACA01C00170A0

## GEAR CASE GROUP



GEAR CASE GROUP							
SL.NO.	PART NO	PART NAME	ERP CODE	MODEL	REMARKS	Dir Part no	SAP Part no
				QTY.			
				Virat 13HP			
1	V5010101004	Case, gear	SPPTVTEN040010	1		ACA01C00430	ACA01C00430A0
2	K7713381	Bush for starting handle	SPPTVTEN040020	2		ACA01C00410	ACA01C00410A0
3	MM310435	Seal oil	SPPTVTEN040030	1		ACA01C00310	ACA01C00310A0
4	MM310425	Gasket, gear case	SPPTVTEN040040	1		ACA01C00390	ACA01C00390A0
5	V0010101640	Gauge, oil level	SPPTVTEN040050	1		ACA01C00400	ACA01C00400A0
6	Z336361	Packing	SPPTVTEN040060	1		ACA01C00370	ACA01C00370A0
7	V0010101540	Valve, air breather	SPPTVTEN040070	1		ACA01C00340	ACA01C00340A0
8	V5010101240	Cover, air breather	SPPTVTEN040080	1		ACA01C00320	ACA01C00320A0
9	V5010101130	Body, air breather	SPPTVTEN040090	1		ACA01C00330	ACA01C00330A0
10	K8814262	Gasket air breather	SPPTVTEN040100	1		ACA01C00290	ACA01C00290A0
11	V5010101340	Packing, air breather	SPPTVTEN040110	1		ACA01C00380	ACA01C00380A0
12	K8865111	Shaft, starting	SPPTVTEN040120	1		ACA01A00170	ACA01A00170A0
13	K8865131	Gear, starting	SPPTVTEN040130	1		ACA01C00300	ACA01C00300A0
14	K8865212	Handle, starting	SPPTVTEN040140	1		ACA45C00481	ACA45C00481A0
15	V50104001X0	Fuel inj pump	SPPTVTEN040150	1		ACA01A00130	ACA01A00130A0
16	V5010401940A	Shim adjusting	SPPTVTEN040160	AR	0.2 (1) 0.3(2)	ACA06C00110	ACA06C00110A0
17	V5010400310	Pipe assy, fuel injection	SPPTVTEN040170	1		ACA06C00030	ACA06C00030A0
18	M10008035	Bolt Hex. Head	SPPTVTEN040180	1		MBA0803502B	MBA0803502BA0
19	M10008050	Bolt Hex. Head	SPPTVTEN040190	4		MBA0805002B	MBA0805002BA0
20	M10008070	Bolt Hex. Head	SPPTVTEN040200	2		MBA0807001B	MBA0807001BA0
21	M10008055	Bolt Hex. Head	SPPTVTEN040210	2		MBA080501B	MBA080501BA0
22	M10008025	Bolt Hex. Head	SPPTVTEN040220	3		MBA0802504B	MBA0802504BA0
23	M10006016	Bolt Hex. Head	SPPTVTEN040230	6		MBA0601601B	MBA0601601BA0
24	MF522008	Snap ring 17	SPPTVTEN040240	1		MLS1701000G	MLS1701000GA0
25	M30406	Washer, spring	SPPTVTEN040250	4		MWL0601502B	MWL0601502BA0
26	M30408	Washer, spring	SPPTVTEN040260	3		MWL0802003G	MWL0802003GA0
27	MF476018	Key, sunk	SPPTVTEN040270	1		MKA0512000G	MKA0512000GA0

28	V0010400241	Clamp, fuel pipe	SPPTVTEN040280	1		ACA06C00050	ACA06C00050A0
29	V0010400140	Sleeve, fuel pipe (5x22)	SPPTVTEN040290	1		AFA06C00000	AFA06C00000A0
30	V0011200141	Support Assy. (S/H)	SPPTVTEN040300	1		ACA01A00140	ACA01A00140A0
31	V0010101740	Bush, Gear Case	SPPTVTEN040310	1		ACA01C00420	ACA01C00420A0
32	V5010402340	Clamp Assy. Fuel Pipe	SPPTVTEN040320	1		ACA02A00080	ACA02A00080A0
33	V0010400241	Sleeve, Fuel Pipe	SPPTVTEN040330	1		ACA06C00050	ACA06C00050A0
34	V5010400431	Fuel Adjuster Assy Virat 13HP	SPPTVTEN040340	1		ACA01A00180	ACA01A00180A0
35	V5010400541	Flange fuel adjuster	SPPTVTEN040350	1		ACA06C00470	ACA06C00470A0
36	V5010400641	Body Fuel Adjuster	SPPTVTEN040360	1		ACA06C00480	ACA06C00480A0
37	V5010400741	Spool Fuel Adjuster	SPPTVTEN040370	1		ACA06C00490	ACA06C00490A0
38	08300100070	'O' Ring	SPPTVTEN040380	1		MRA0071900G	MRA0071900GA0
39	V5010402940	Ring Fuel Adjuster	SPPTVTEN040390	1		ACA06C00500	ACA06C00500A0
40	V5010401642	Spring	SPPTVTEN040400	1		ACA01C00630	ACA01C00630A0
41	V5010401142	Lock nut	SPPTVTEN040410	1		MNG0000032G	MNG0000032GA0
42	V5010401241	Guide spring	SPPTVTEN040420	1		ACA01C02560	ACA01C02560A0
43	V5010401341	Gasket, Fuel Adjuster	SPPTVTEN040430	1		ACA06C00040	ACA06C00040A0
44	V5010402140	Wire, Sealing	SPPTVTEN040440	1		ACA34C00260	ACA34C00260A0
45	V5010402240	Metal, sealing	SPPTVTEN040450	1		ACA23C00130	ACA23C00130A0
46	V5010402041	Bolt Sealing	SPPTVTEN040460	1		MBG0601000B	MBG0601000BA0
47	M30406	Washer spring	SPPTVTEN040470	3		MWL0601502B	MWL0601502BA0
48	V5010403140	Disc Spring Washer	SPPTVTEN040480	1		MWL2001300B	MWL2001300BA0
49	V5010102320	Pipe Air breather	SPPTVTEN040490	1		ACA01C00870	ACA01C00870A0
50	MS660166	Clamp Pipe Air breather	SPPTVTEN040500	1		9004241	9004241

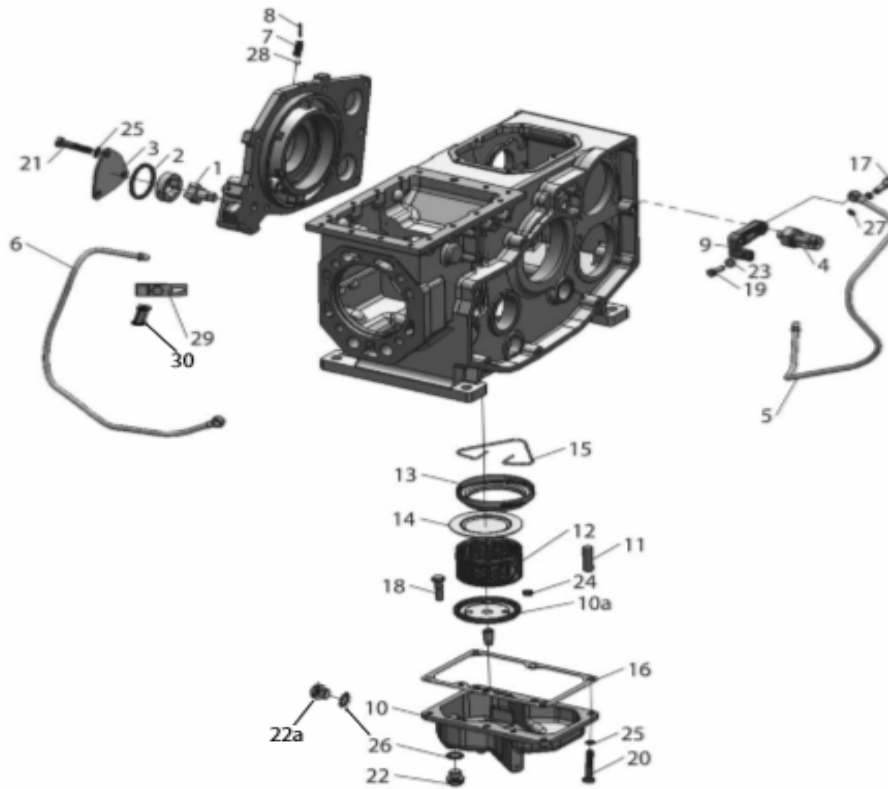




CAM SHAFT, GOVERNOR GROUP							
SL.NO.	PART NO	PART NAME	ERP CODE	MODEL	REMARKS	Dir Part no	SAP Part no
				QTY.			
				Virat 13HP			
1	V5010300111	Camshaft	SPPTVTEN050010	1		ACA11C00970	ACA11C00970A0
2	V1010300321	Gear, cam shaft (Helical)	SPPTVTEN050020	1		ACA11C00960	ACA11C00960A0
3	K7731222	Tappet	SPPTVTEN050030	2		ACA01C00710	ACA01C00710A0
4	V5010300930	Push rod	SPPTVTEN050040	2		ACA02C00080	ACA02C00080A0
5	MM303060	Governor assy	SPPTVTEN050050	1		ACA01A00150	ACA01A00150A0
6	K8751052	Shaft, governor assy	SPPTVTEN050060	1		ACA07C00020	ACA07C00020A0
7	K8751062	Shaft	SPPTVTEN050070	1		ACA02C00000	ACA02C00000A0
8	K7851074	Plate	SPPTVTEN050080	1		ACA02C00010	ACA02C00010A0
9	K8851111	Lever, shaft governor	SPPTVTEN050090	1		ACA01A00160	ACA01A00160A0
10	V1010700130	Lever(A), governor	SPPTVTEN050100	1		AFA01C00050	AFA01C00050A0
11	MM300141	Screw, governor shaft	SPPTVTEN050110	1		MSG0601202G	MSG0601202GA0
12	K8852021	Spring, governor	SPPTVTEN050120	1		AFA01C00560	AFA01C00560A0
13	K8852051	Shaft, speed control	SPPTVTEN050130	1		ACA02C00030	ACA02C00030A0
14	K7752115	Lever assy, speed control	SPPTVTEN050140	1		ACA02A00030	ACA02A00030A0
15	K8452580	Spring, return	SPPTVTEN050150	1		ACA02C00040	ACA02C00040A0
16	K8252271	Indicator, speed	SPPTVTEN050160	1		ACA02C00140	ACA02C00140A0
17	K7652211	Knob, speed control	SPPTVTEN050170	1		ACA02C00130	ACA02C00130A0
18	K8852390	Packing	SPPTVTEN050180	1		ACA02C00150	ACA02C00150A0
19	K8852317	Cover, governor	SPPTVTEN050190	1		ACA07C00000	ACA07C00000A0
20	K8852332	Clip, cable wire	SPPTVTEN050200	1		ACA01C00760	ACA01C00760A0
21	K8852371	Label, speed control	SPPTVTEN050210	1		BCA40C00250	BCA40C00250A0
22	M10006012	Bolt	SPPTVTEN050220	3		MBA0601201B	MBA0601201BA0
23	MF200035	Screw machine	SPPTVTEN050230	1		MSG0403000G	MSG0403000GA0

24	MF101242	Bolt (6x65)	SPPTVTEN050240	1		MBA0606500G	MBA0606500GA0
25	MF522405	Ring, snap	SPPTVTEN050250	1		MLS0700300G	MLS0700300GA0
26	M30406	Washer, spring	SPPTVTEN050260	1		MWL0601502B	MWL0601502BA0
27	MF476021	Key, sunk	SPPTVTEN050270	1		MKA0516000G	MKA0516000GA0
28	M30006	Washer, plain	SPPTVTEN050280	4		MWA0701000B	MWA0701000BA0
29	M10006016	Bolt hex head	SPPTVTEN050290	1		MBA0601601B	MBA0601601BA0
30	00502108083	Clamp	SPPTVTEN050300	1		MGC0908000B	MGC0908000BA0

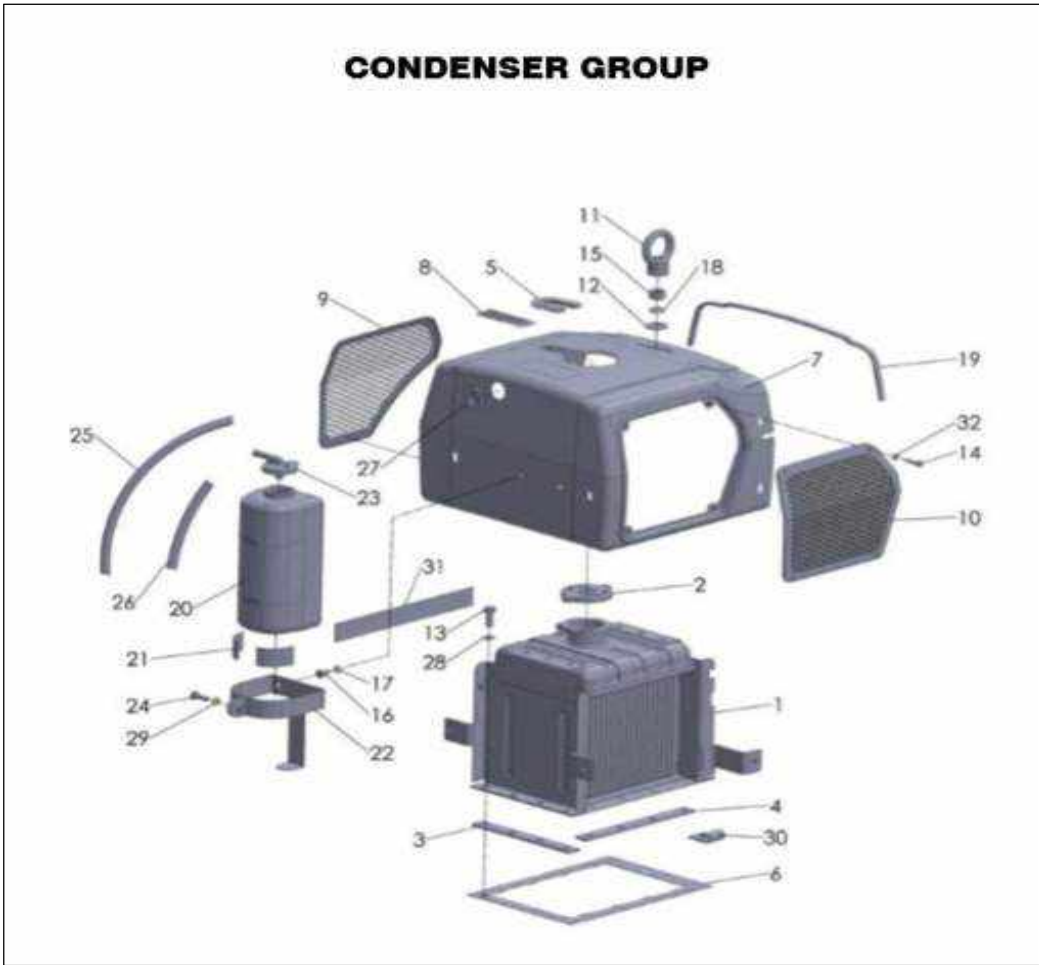
## OIL PUMP GROUP



OIL PUMP GROUP							
SL.NO.	PART NO	PART NAME	ERP CODE	MODEL	REMARKS	Dir Part no	SAP Part no
				QTY. Virat 13HP			
1	MM313200	Rotor assy, oil pump	SPPTVTEN060010	1		ACA02A00000	ACA02A00000A0
2	K7761080	'O' Ring	SPPTVTEN060020	1		MRA0453100G	MRA0453100GA0
3	MM313220	Cover, rotor	SPPTVTEN060030	1		ACA01C00740	ACA01C00740A0
4	MM3032403	Signal oil assy	SPPTVTEN060040	1		ACA02A00060	ACA02A00060A0
5	V501080220	Pipe assy oil	SPPTVTEN060050	1		ACA02A00040	ACA02A00040A0
6	K8813281	Spring, oil relief	SPPTVTEN060060	1		ACA01C00210	ACA01C00210A0
7	K8813291	Pin	SPPTVTEN060070	1		MPG0402801G	MPG0402801GA0
8	K8852032	Distance piece assy	SPPTVTEN060080	1		ACA02C00050	ACA02C00050A0
9	V0010100311	Oil pan	SPPTVTEN060090	1		ACA01C00150	ACA01C00150A0
10	V0010100520	Oil Filter Assy	SPPTVTEN060100	1		ACA01C00120	ACA01C00120A0
11	V0010100640	Bush	SPPTVTEN060110	1		ACA01C00130	ACA01C00130A0
12	V0010100420	Oil Filter	SPPTVTEN060120	1		ACA01C01470	ACA01C01470A0
13	V0010100740	Cover, oil screen	SPPTVTEN060130	1		ACA01C02580	ACA01C02580A0
14	V0010100840	Packing, oil screen	SPPTVTEN060140	1		ACA01C02590	ACA01C02590A0
15	V0010100940	Clip	SPPTVTEN060150	1		ACA98C00570	ACA98C00570A0

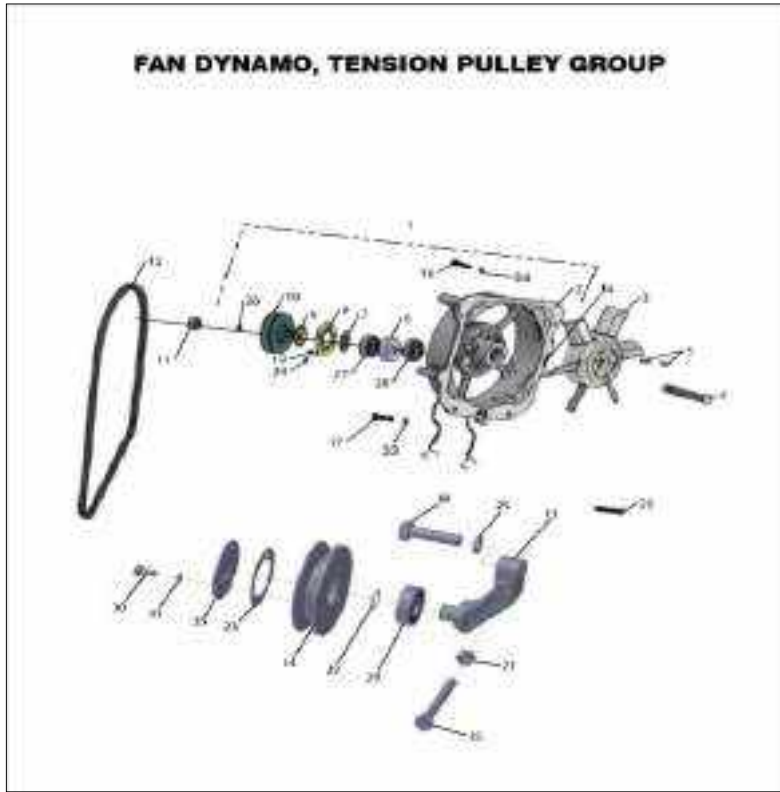
16	MM312200	Gasket, oil pan	SPPTVTEN060160	1		ACA01C00140	ACA01C00140A0
17	MF650101	Bolt eye	SPPTVTEN060170	1		MBA0801000B	MBA0801000BA0
18	M10006012	Bolt	SPPTVTEN060180	2		MBA0601201B	MBA0601201BA0
19	M10006020	Bolt	SPPTVTEN060190	1		MBA0602001B	MBA0602001BA0
20	M10008020	Bolt	SPPTVTEN060200	6		MBA0802004B	MBA0802004BA0
21	M10008045	Bolt	SPPTVTEN060210	3		MBA0804504B	MBA0804504BA0
22	M43514	Plug, drain	SPPTVTEN060220	1		MUG0140004G	MUG0140004GA0
23	V0010800240	Drain plug M14	SPPTVTEN060230	1		MUG0140005B	MUG0140005BA0
24	M17006	Nut	SPPTVTEN060240	1		MNA0605501B	MNA0605501BA0
25	M30406	Washer spring	SPPTVTEN060250	2		MWL0601502B	MWL0601502BA0
26	M30408	Washer, spring	SPPTVTEN060260	9		MWL0802003G	MWL0802003GA0
27	0833000141	Washer, seal	SPPTVTEN060270	2		MWN1302000G	MWN1302000GA0
28	MF660062	Gasket	SPPTVTEN060280	2		ACA02A00020	ACA02A00020A0
29	M420308	Ball, steel	SPPTVTEN060290	1		MEB0800000G	MEB0800000GA0
30	V5010800340	Clamp Assy Oil Pipe	SPPTVTEN060300	1		ACA02A00070	ACA02A00070A0
31	V0010800340	Rubber oil pipe	SPPTVTEN060310	1		ACA02C00100	ACA02C00100A0

## CONDENSER GROUP



CONDENSER GROUP							
SL.NO.	PART NO	PART NAME	MODEL		REMARKS	Dir Part no	SAP Part no
			ERP CODE	QTY.			
				Virat 13HP			
1	K8872015	Condenser, assy	SPPTVTEN070010	1		ACA03A00000	ACA03A00000A0
2	K7272036	Cap, assy pressure	SPPTVTEN070020	1		TRA90C36720	TRA90C36720A0
3	MM311420	Plate (A), condenser	SPPTVTEN070030	2		ACA03C00010	ACA03C00010A0
4	MM311421	Plate (B), condenser	SPPTVTEN070040	1		ACA03C00020	ACA03C00020A0
5	V1010901141	Beading rubber	SPPTVTEN070050	1		ACA02C00220	ACA02C00220A0
6	V1010903130	Packing, condenser	SPPTVTEN070060	1		ACA03C00030	ACA03C00030A0
7	K8873016	Cover, condenser	SPPTVTEN070070	1		ACA04C00001	ACA04C00001A0
8	K8872420	Label, caution	SPPTVTEN070080	1		ACA40C00290	ACA40C00290A0
9	V0010900730	Grill, left	SPPTVTEN070090	1		AFA01C00500	AFA01C00500A0
10	V0010900631	Grill, right	SPPTVTEN070100	1		AFA01C00520	AFA01C00520A0
11	K9014511	Hanger engine	SPPTVTEN070110	1		ACA02C00120	ACA02C00120A0
12	M30012	Washer, plain	SPPTVTEN070120	1		MWA1302300B	MWA1302300BA0
13	M10008020	Bolt	SPPTVTEN070130	12		MBA0802004B	MBA0802004BA0
14	M13205020	Screw	SPPTVTEN070140	7		MSG0502002G	MSG0502002GA0
15	MF17012	Nut	SPPTVTEN070150	1		MNA1207000B	MNA1207000BA0
16	M10006012	Bolt, hex	SPPTVTEN070160	5		MBA0601201B	MBA0601201BA0
17	M30406	Washer, plain	SPPTVTEN070170	5		MWL0601502B	MWL0601502BA0
18	M30412	Washer, spring	SPPTVTEN070180	1		MWL1203002G	MWL1203002GA0
19	V0010902141	Beading, Cover Cond.	SPPTVTEN070190	1		ACA02C00210	ACA02C00210A0
20	V1010900522	Coolant Tank	SPPTVTEN070200	1		ACA03C00290	ACA03C00290A0
21	V1010901341	Rubber, Bkt C/Tank	SPPTVTEN070210	2		BCA03C00330	BCA03C00330A0
22	V1010901431	Bkt Coolent Tank	SPPTVTEN070220	1		ACA01C00041	ACA01C00041A0

23	V1010900641	Cap. Coolent Tank	SPPTVTEN070230	1		ACA03C00040	ACA03C00040A0
24	M10006020	Bolt, hex Head	SPPTVTEN070240	1		MBA0602001B	MBA0602001BA0
25	V1010900940	Hose Rubber A	SPPTVTEN070250	1		ACA01C00030	ACA01C00030A0
26	V1010901040	Hose Rubber B	SPPTVTEN070260	1		BCA03C00310	BCA03C00310A1
27	V1010900840	Rubber guide	SPPTVTEN070270	1		BCA03C00290	BCA03C00290A0
28	M30408	Washer spring	SPPTVTEN070280	12		MWL0802003G	MWL0802003GA0
29	M30406	Washer spring	SPPTVTEN070290	1		MWL0601502B	MWL0601502BA0
30	K7245311	Clip fuel pipe	SPPTVTEN070300	1		AFA01C00550	AFA01C00550A0
31	V0010902830	Packing Condensor (Sponge)	SPPTVTEN070310	1		ACA03C00120	ACA03C00120A0
32	M30405	Washer, spring	SPPTVTEN070320	7		MWL0501302G	MWL0501302GA0



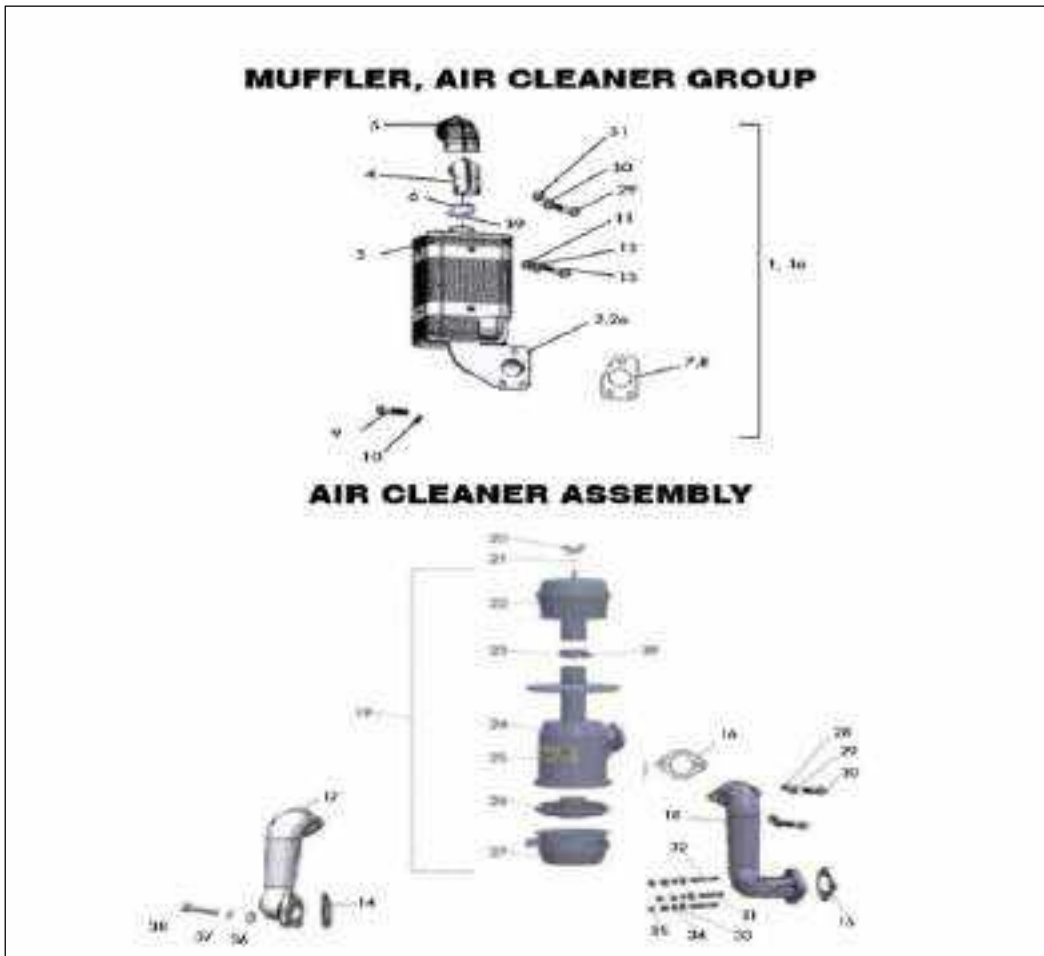
FAN DYNAMO, TENSION PULLEY GROUP							
SL.NO.	PART NO	PART NAME	ERP CODE	MODEL	REMARKS	Dir Part no	SAP Part no
				QTY.			
				Virat 13HP			
1	V0010903212	Fan dynamo Assy.	SPPTVTEN080010	1		ACA03A00010	ACA03A00010A0
2	V0010902033	Regulator Assy.	SPPTVTEN080020	1		ACA34A00040	ACA34A00040A0
3	MM5012913	Fan duct	SPPTVTEN080030	1		ACA03C00160	ACA03C00160A0
4	V00109019X0	Fan Assy	SPPTVTEN080040	1		ACA03A00050	ACA03A00050A0
5	K8874630	Shaft, fan cooling	SPPTVTEN080050	1		ACA03C00210	ACA03C00210A0
6	KS333416	Key, woodruff	SPPTVTEN080060	2		ACA11C01440	ACA11C01440A0
7	K8874660	Spacer	SPPTVTEN080070	1		ACA98C00180	ACA98C00180A0
8	M30010	Washer, adjusting	SPPTVTEN080080	1		MWA1101600B	MWA1101600BA0
9	K8874720B	Plate retainer	SPPTVTEN080090	1		ACA01C01460	ACA01C01460A0
10	K8874720A	Plate, dust proof	SPPTVTEN080100	1		ACA23C00100	ACA23C00100A0
11	MM5012931	'V' Pulley	SPPTVTEN080110	1		ACA11C01380	ACA11C01380A0
12	M17012	Nut	SPPTVTEN080120	1		MNA1210002B	MNA1210002BA0
13	K8874241	'V' Belt	SPPTVTEN080130	1		ACA02C00020	ACA02C00020A0
14	K8872320	Lever, idle	SPPTVTEN080140	1		ACA01C00640	ACA01C00640A0
15	K8872342	Pulley, idle	SPPTVTEN080150	1		ACA01C00670	ACA01C00670A0
16	V0010901640	Bolt, tension pulley	SPPTVTEN080160	1		MBA0806001B	MBA0806001BA0
17	M10006016	Bolt	SPPTVTEN080170	2		MBA0601601B	MBA0601601BA0
18	M10008020	Bolt	SPPTVTEN080180	2		MBA0802004B	MBA0802004BA0
19	M10010040	Bolt	SPPTVTEN080190	1		MBA1004002B	MBA1004002BA0
20	M1300408	Screw	SPPTVTEN080200	4		MSG0401002G	MSG0401002GA0
21	M13004020	Screw	SPPTVTEN080210	2		MSG0402001G	MSG0402001GA0
22	M17008	Nut	SPPTVTEN080220	1		MNA0806000B	MNA0806000BA0
23	MF522006	Snap, ring	SPPTVTEN080230	1		MLS1501002G	MLS1501002GA0
24	K8872360	Gasket	SPPTVTEN080240	1		ACA01C00650	ACA01C00650A0
25	M30404	Washer, spring	SPPTVTEN080250	4		MWL0401002G	MWL0401002GA0
26	M30410	Washer, spring	SPPTVTEN080260	1		MWL1002503G	MWL1002503GA0
27	M30412	Washer, spring	SPPTVTEN080270	1		MWL1203002G	MWL1203002GA0
28	K8474640	Bearing, ball	SPPTVTEN080280	1		MEB0000006G	MEB0000006GA0
29	K8474650	Bearing, ball	SPPTVTEN080290	1		MEB0000006G	MEB0000006GA0
30	A932503Q	Bearing, ball	SPPTVTEN080300	1		MEG0000021G	MEG0000021GA0
31	M13006010	Bolt	SPPTVTEN080310	3		MSG0601002G	MSG0601002GA0
32	M311006	Washer tooth	SPPTVTEN080320	3		MWG0702001G	MWG0702001GA0
33	M30408	Washer spring	SPPTVTEN080330	2		MWL0802003G	MWL0802003GA0
34	M30406	Washer spring	SPPTVTEN080340	2		MWL0601502B	MWL0601502BA0
35	VW70091	cover	SPPTVTEN080350	1		ACA01C00660	ACA01C00660A0



FUEL TANK. HEAD LAMP GROUP							
SL.NO.	PART NO	PART NAME	ERP CODE	MODEL	REMARKS	Dir Part no	SAP Part no
				QTY.			
				Virat 13HP			
1	V1010600309	Tank, Fuel	SPPTVTEN090010	1		ACA06C00011	ACA06C00011A0
2	V1010600430	BKT, Fuel Tank	SPPTVTEN090020	1		ACA06A00011	ACA06A00011A0
3	K9041151	Plate, caution	SPPTVTEN090030	1		ACA99C00370	ACA99C00370A0
4	67403102001	Cap ass'y, fuel tank	SPPTVTEN090040	1		BCA06C00550	BCA06C00550A0
5	18030100531	Strainer	SPPTVTEN090050	1		ACA06C00060	ACA06C00060A0
6	6740300300	Packing	SPPTVTEN090060	1		BCA06C00430	BCA06C00430A0
7	MM3048901	Bolt (8x125)	SPPTVTEN090070	3		MBA0812500B	MBA0812500BA0
8	M30008	Washer	SPPTVTEN090080	3		MWA0801602G	MWA0801602GA0
9	M30408	Washer, spring	SPPTVTEN090090	3		MWL0802003G	MWL0802003GA0
10	V1010901530	Sticker, Fuel Tank Virat 13HP	SPPTVTEN090100	2		ACA40C00060	ACA40C00060A0
11	VZ50700	Fuel filter ass'y	SPPTVTEN090110	1		BCA06A00170	BCA06A00170A0
12	VZ5072	Micro filter	SPPTVTEN090120	1		BHA06C00070	BHA06C00070A0
13	V0010600132	Fuel filter Bkt	SPPTVTEN090130	1		ACA06C00020	ACA06C00020A0
14	V0010800133	Hose fuel inlet	SPPTVTEN090140	1		ACA06C00000	ACA06C00000A0
15	VZ5015	Banjo	SPPTVTEN090150	1		AFA01C00580	AFA01C00580A0
16	V0010600440	Washer	SPPTVTEN090160	3		MWG1501000G	MWG1501000GA0
17	V0010600540	'P' Clamp ass'y	SPPTVTEN090170	1		MGC1602500B	MGC1602500BA0
18	V0010600332	Fuel cock ass'y	SPPTVTEN090180	1		BCA06C00360	BCA06C00360A0
19	V0010600642	Adaptor fuel cock	SPPTVTEN090190	1		BCA06C00370	BCA06C00370A0
20	VW70033	Pipe, outlet	SPPTVTEN090200	1		ACA06C00080	ACA06C00080A0
21	M32010	Packing	SPPTVTEN090210	1		ACA03C00050	ACA03C00050A0

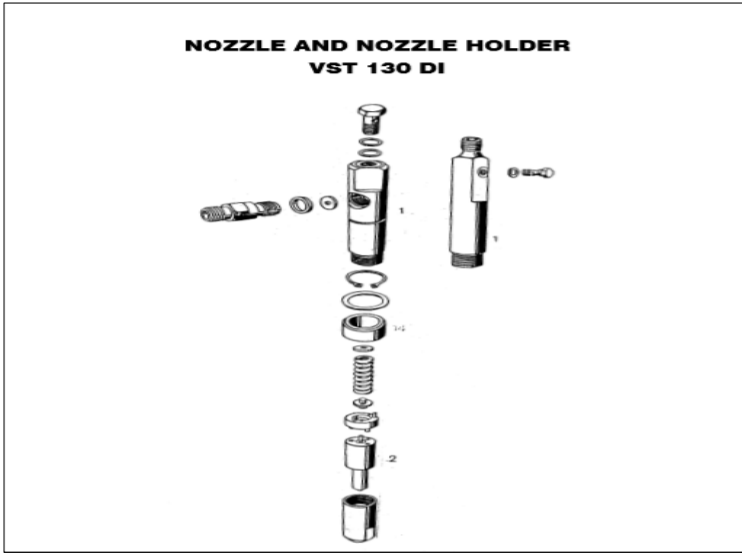


22	V1010900116	Cover, head lamp	SPPTVTEN090220	1		AFA01C00391	AFA01C00391A0
23	V0010902241	Rubber beading	SPPTVTEN090230	1		ACA34C00020	ACA34C00020A0
24	V1010900222	Head lamp ass'y	SPPTVTEN090240	1		ACA34A00010	ACA34A00010A1
25	M10006012	Bolt hexagon	SPPTVTEN090250	4		MBA0601201B	MBA0601201BA0
26	M30406	Washer, spring	SPPTVTEN090260	4		MWL0601502B	MWL0601502BA0
27	M10008020	Bolt, hexagon	SPPTVTEN090270	2		MBA0802004B	MBA0802004BA0
28	M30008	Washer	SPPTVTEN090280	2		MWA0801602G	MWA0801602GA0
29	M30408	Washer, spring	SPPTVTEN090290	2		MWL0802003G	MWL0802003GA0
30	V1011400140	Label, Eng. 130 Dt	SPPTVTEN090300	1		ACA40C00080	ACA40C00080A0
31	M1008020	Bolt hexagon	SPPTVTEN090310	1		MBA0802004B	MBA0802004BA0
32	M30008	Washer, plain	SPPTVTEN090320	2		MWA0801602G	MWA0801602GA0
33	M10010030	Bolt, hexagon	SPPTVTEN090330	2		MBA1003002B	MBA1003002BA0
34	M30410	Washer, spring	SPPTVTEN090340	2		MWL1002503G	MWL1002503GA0
35	M17010	Nut, hex	SPPTVTEN090350	2		MNA1008001B	MNA1008001BA0
36	M30010	Washer, plain	SPPTVTEN090360	2		MWA1101600B	MWA1101600BA0
37	V1010900330	Reflector	SPPTVTEN090370	2		ACA34C00010	ACA34C00010A0
38	V1010101641	Pipe fuel level	SPPTVTEN090380	1		BCA06C00580	BCA06C00580A0
39	V0010600240	Connector	SPPTVTEN090390	1		ACA34C00270	ACA34C00270A0
40	V1010600740	Rubber, shockless	SPPTVTEN090400	1		ACA02C00260	ACA02C00260A0
41	V0010101123	Cover Support	SPPTVTEN090410	1		ACA01C00181	ACA01C00181A0
42	M10008016	Bolt,Hex Head	SPPTVTEN090420	1		MBA0801602B	MBA0801602BA0
43	M30408	Washer, Spring	SPPTVTEN090430	1		MWL0802003G	MWL0802003GA0
44	M30008	Washer,Plain	SPPTVTEN090440	1		MWA0801602G	MWA0801602GA0
45	M10008040	Bolt Hexagon	SPPTVTEN090450	1		MBA0804003B	MBA0804003BA0
46	M10008035	Bolt Hexagon	SPPTVTEN090460	1		MBA0803502B	MBA0803502BA0
47	M30408	Washer Spring	SPPTVTEN090470	2		MWL0802003G	MWL0802003GA0
48	V0010101340	Rubber Guide	SPPTVTEN090480	1		BCA26C00230	BCA26C00230A0
49	V0010101203	Cover Flywheel	SPPTVTEN090490	1		ACA02C00190	ACA02C00190A0
50	M10008016	Bolt Hex.Hd	SPPTVTEN090500	2		MBA0801602B	MBA0801602BA0
51	M30008	Washer Plain	SPPTVTEN090510	2		MWA0801602G	MWA0801602GA0
52	M30408	Washer Spring	SPPTVTEN090520	2		MWL0802003G	MWL0802003GA0
53	Z714412	Label Sticker	SPPTVTEN090530	1		ACA40C00350	ACA40C00350A0
54	M30408	Washer Spring	SPPTVTEN090540	2		MWL0802003G	MWL0802003GA0
55	A0011400140	Fitting Starting Handle	SPPTVTEN090550	1		ACA02C00160	ACA02C00160A0
56	M10008016	Bolt hex head	SPPTVTEN090560	2		MBA0801602B	MBA0801602BA0
57	V10109033X0	Lamp (HS1 Bulb)	SPPTVTEN090570	1		ACA34C00300	ACA34C00300A0
58	V10109034X0	Holder Assly. Lamp	SPPTVTEN090580	1		ACA34C00310	ACA34C00310A0
59	V0010902442	Beading Fuel Tank	SPPTVTEN090590	2		ACA06C00090	ACA06C00090A0



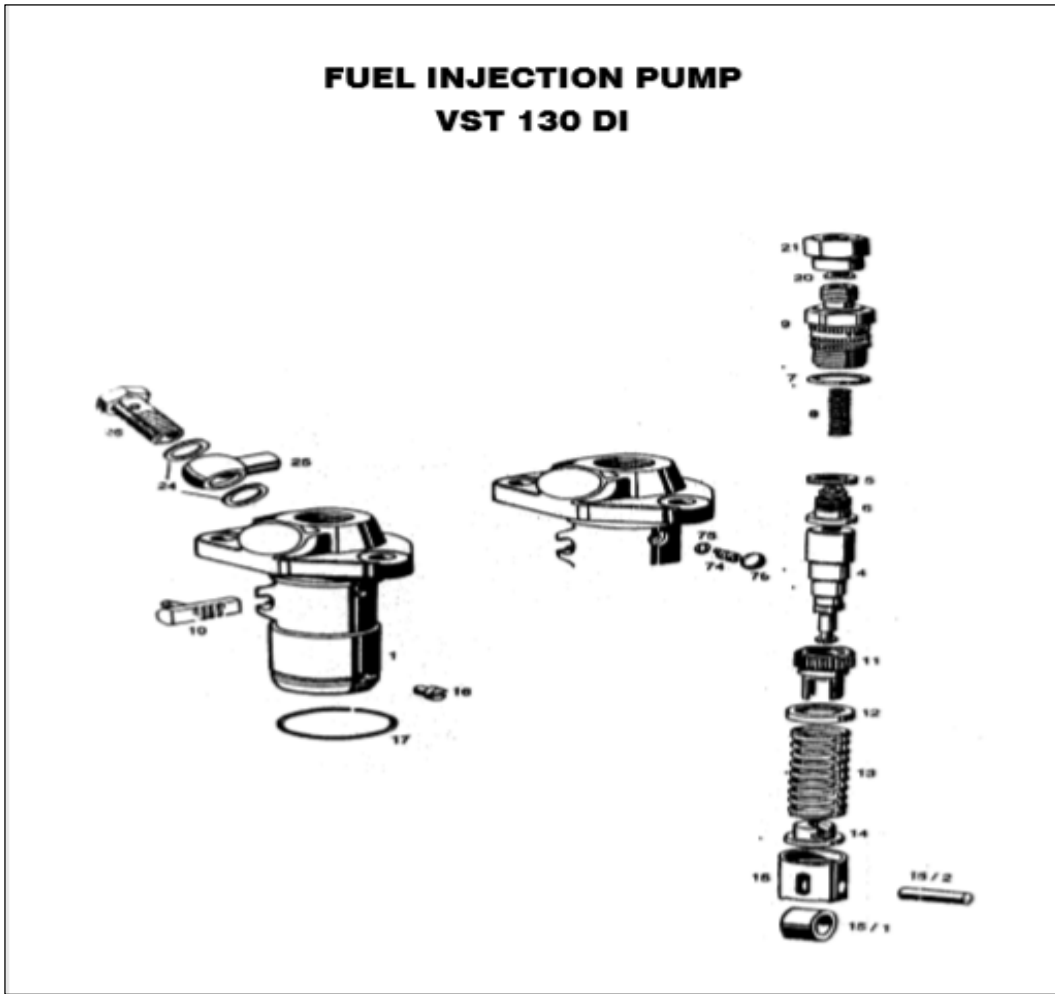
MUFFLER, AIR CLEANER GROUP							
SL.NO.	PART NO	PART NAME	ERP CODE	MODEL	REMARKS	Dir Part no	SAP Part no
				QTY.			
				Virat 13HP			
1	V00111000X0	Muffler Assy	SPPTVTEN100010	1		AFA96M00130	AFA96M00130A0
2	V5011100201	Muffler Body Assy	SPPTVTEN100020	1		ACA05C00140	ACA05C00140A0
3	V0011100112	Guard Muffler	SPPTVTEN100030	1		ACA05C00070	ACA05C00070A0
4	V0011100430	Pipe, Out Let	SPPTVTEN100040	1		ACA03C00060	ACA03C00060A0
5	V0011100330	Guard Outlet	SPPTVTEN100050	1		ACA06C00240	ACA06C00240A0
6	V5011100540	Clamp Assy	SPPTVTEN100060	1		ACA05C00150	ACA05C00150A0
7	V5011100340	Gsket, Ex. Manifold	SPPTVTEN100070	1		ACA01C00060	ACA01C00060A0
8	M10010020	Bolt, Hex Hd.	SPPTVTEN100080	3		MBA1002003B	MBA1002003BA0
9	M30410	Washer Spring	SPPTVTEN100090	1		MWL1002503G	MWL1002503GA0
10	M30008	Washer, Plain	SPPTVTEN100100	3		MWA0801602G	MWA0801602GA0
11	M30408	Washer, Spring	SPPTVTEN100110	3		MWL0802003G	MWL0802003GA0
12	V5011000241	Gasket, Intake Manifold	SPPTVTEN100120	1		ACA01C00530	ACA01C00530A0
13	V0011000340	Packing	SPPTVTEN100130	1		BCA04C00310	BCA04C00310A0
14	V5011000311	Manifold Air Cleaner	SPPTVTEN100140	1		ACA01C00490	ACA01C00490A0
15	V6011000110	Air Cleaner Assy	SPPTVTEN100150	1		ACA04A00020	ACA04A00020A0
16	V5011001040	Wing Nut	SPPTVTEN100160	1		ACA04C00040	ACA04C00040A0
17	M30008	Washer, Plain	SPPTVTEN100170	1		MWA0801602G	MWA0801602GA0
18	V1011000621	Top Hood Assy	SPPTVTEN100180	1		ACA04A00010	ACA04A00010A0
19	V5011000940	Clamp Assy Air Cleaner	SPPTVTEN100190	1		ACA04C00020	ACA04C00020A0
20	V1011000420	Main Body Assy	SPPTVTEN100200	1		ACA23A00000	ACA23A00000A0
21	Z7145211	Label Air cleaner	SPPTVTEN100210	1		ACA40C00360	ACA40C00360A0

22	V1011000730	Media Assy (Filter Cartridge)	SPPTVTEN100220	1		ACA06A00100	ACA06A00100A0
23	V1011000530	Oil Container Assy	SPPTVTEN100230	1		ACA01A00350	ACA01A00350A0
24	V0011001040	Washer, Plain (M/I)	SPPTVTEN100240	2		MWG1102300B	MWG1102300BA0
25	M30410	Washer, Spring	SPPTVTEN100250	2		MWL1002503G	MWL1002503GA0
26	V0011000940	Bolt Hex Hd. (M/I)	SPPTVTEN100260	2		MBA1002503B	MBA1002503BA0
27	V5011000740	Stud Intake Manifold	SPPTVTEN100270	1		MDG0800900G	MDG0800900GA0
28	V5011000840	Stud Intake Manifold	SPPTVTEN100280	2		MDG0801500G	MDG0801500GA0
29	M30008	Washer, Plain	SPPTVTEN100290	3		MWA0801602G	MWA0801602GA0
30	M30408	Washer, Spring	SPPTVTEN100300	3		MWL0802003G	MWL0802003GA0
31	M17008	Nut Hex.	SPPTVTEN100310	6		MNA0806000B	MNA0806000BA0
32	V5011001040	Bolt Special	SPPTVTEN100320	1		ACA04C00040	ACA04C00040A0



NOZZLE AND NOZZLE HOLDER Virat 13HP							
SL.NO.	PART NO	PART NAME	ERP CODE	MODEL	REMARKS	Dir Part no	SAP Part no
				QTY.			
1	V50105001X0 F002C70561	Body nozzle holder Body nozzle holder	SPPTVTEN110010	1	VST Part No. Bosch Part No.	ACA06C00570	ACA06C00570A0
2	V50105002X0 DSLA150P5557	Nozzle Nozzle	SPPTVTEN110020	1	VST Part No. Bosch Part No.	ACA06C00190	ACA06C00190A0

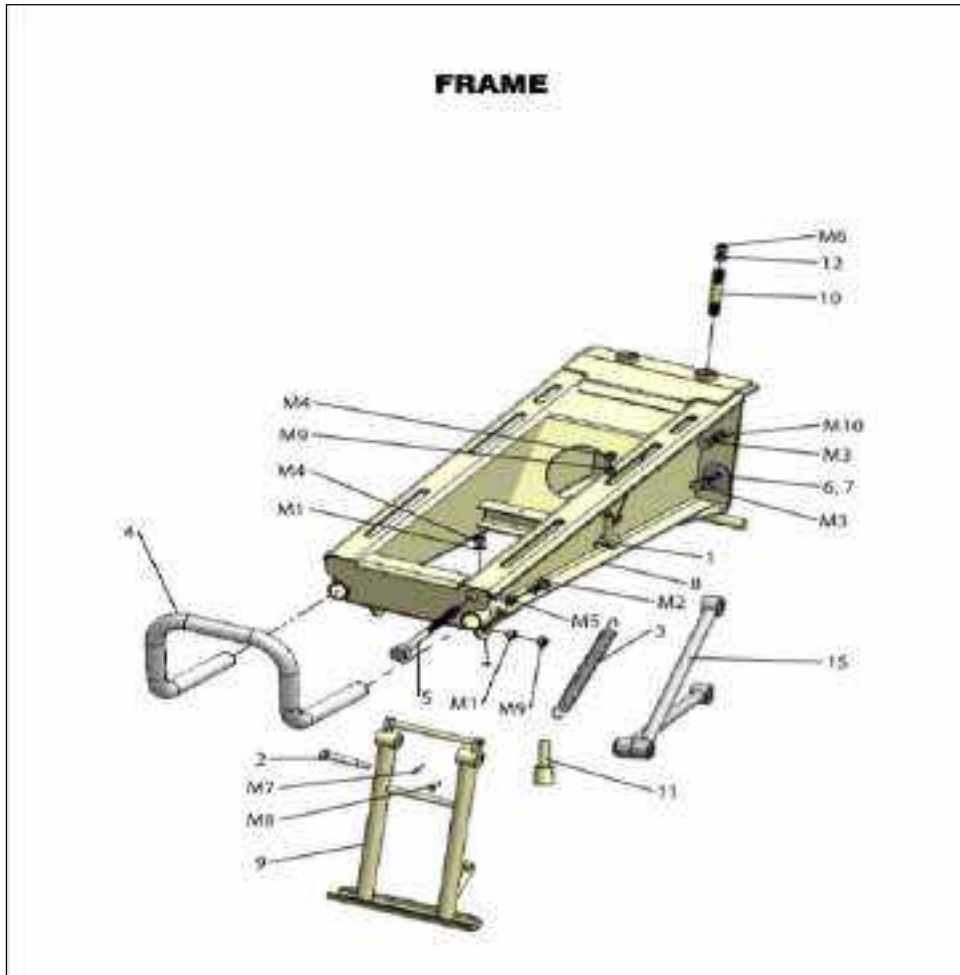
## FUEL INJECTION PUMP VST 130 DI



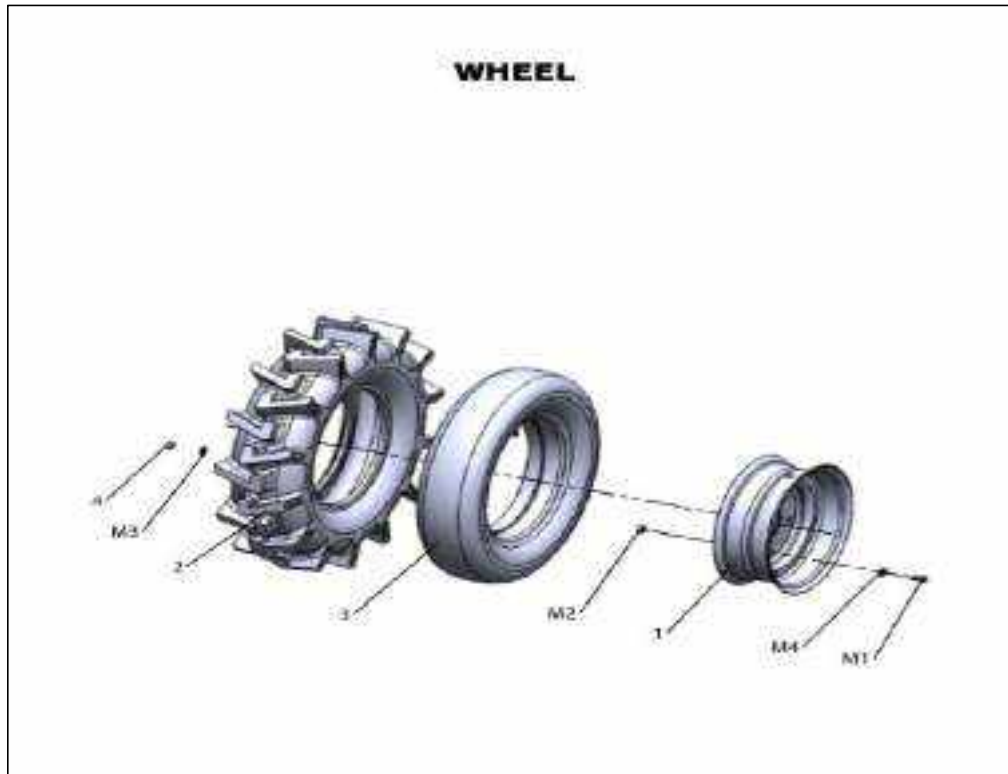
FUEL INJECTION PUMP Virat 13HP

SL.NO.	PART NO	PART NAME	MODEL		REMARKS	Dir Part no	SAP Part no
			ERP CODE	QTY.			
				Virat 13HP			
1	F002F21098	Pump housing	SPPTVTEN120010	1		ACA08C00030	ACA08C00030A0
2	F002B10096	Plunger & barrel assy	SPPTVTEN120020	1	Bosch Part No.	ACA01A00360	ACA01A00360A0
3	V50104025X0	Plunger & barrel assy	SPPTVTEN120020		VST Part No.	ACA08C00010	ACA08C00010A0
4	1410105001	Sealing washer	SPPTVTEN120030	1		MWN0000011G	MWN0000011GA0
5	9412038568	Delivery valve assy	SPPTVTEN120040	1	Bosch Part No.	ACA14A00000	ACA14A00000A0
6	V50104024X0	Delivery valve assy	SPPTVTEN120040		VST Part No.	ACA01C00910	ACA01C00910A0
7	1410210017	O-ring	SPPTVTEN120050	1		MRA0000066G	MRA0000066GA0
8	9411034635	Compression spring	SPPTVTEN120060	1		ACA23C00220	ACA23C00220A0
9	F002F21528	Delivery valve holder	SPPTVTEN120070	1		ACA14C00120	ACA14C00120A0
10	F002F21043	Control rod	SPPTVTEN120080	1		ACA48C00110	ACA48C00110A0
11	3416300001	Control sleeve	SPPTVTEN120090	1		ACA48C00120	ACA48C00120A0
12	1410501000	Spring seat	SPPTVTEN120100	1		ACA27C00060	ACA27C00060A0
13	3414619005	Compression spring	SPPTVTEN120110	1	Bosch Part No.	ACA23C00230	ACA23C00230A0
14	V50104026X0	Compression spring	SPPTVTEN120110		VST Part No.	ACA23C00240	ACA23C00240A0
15	3413203011	Spring seat	SPPTVTEN120120	1		ACA27C00070	ACA27C00070A0
16	3418700004	Roller tappet	SPPTVTEN120130	1		ACA98C00610	ACA98C00610A0
17	3413121016	Guide bolt	SPPTVTEN120140	1		MBG0000045G	MBG0000045GA0
18	3414603002	Snap ring	SPPTVTEN120150	1		MLS0000017G	MLS0000017GA0
19	2916710607	Flat seal ring	SPPTVTEN120160	2	Bosch Part No.	MWG1201500E	MWG1201500EA0
20	V50104028X0	Flat Seal ring	SPPTVTEN120160		VST Part No.	ACA98C00620	ACA98C00620A0

21	1413455090	Hollow bolt	SPPTVTEN120170	1	Bosch Part No.	MBG0000046G	MBG0000046GA0
22	V50104027X0	Hollow bolt	SPPTVTEN120180		VST Part No.	MBG0000047G	MBG0000047GA0
23	1413453025	Hexscrew	SPPTVTEN120190	1		MSD0000001G	MSD0000001GA0
24	1410107005	Gasket	SPPTVTEN120200	1		MGG0000050G	MGG0000050GA0
25	9412033197	Filler piece	SPPTVTEN120210	1		ACA23C00250	ACA23C00250A0
26	3413180000	Eccentric bolt	SPPTVTEN120220	1		MBG0000048G	MBG0000048GA0
27	3410210004	O-ring	SPPTVTEN120230	1		MRA0000067G	MRA0000067GA0
28	1410555005	Washer	SPPTVTEN120240	1		MWG0000094G	MWG0000094GA0

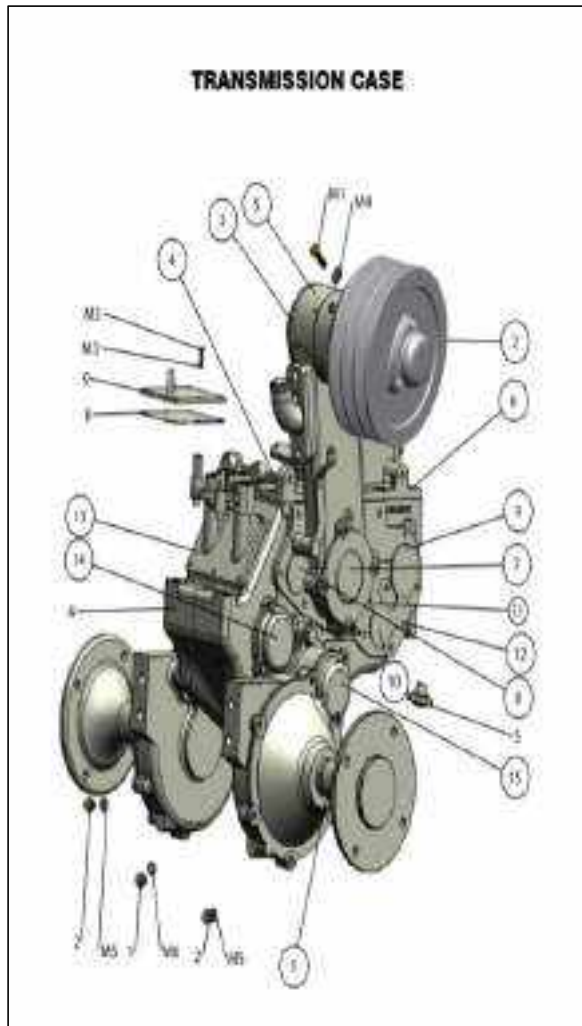


FRAME							
SL.NO.	PART NO.	PART NAME	ERP CODE	QTY	REMARKS	Dir Part no	SAP Part no
1	A912642	BOLT Special	SPPTVTBD010010	3		MBE1204500B	MBE1204500BA0
2	A912650	BOLT Shackle	SPPTVTBD010020	2		MBG1205000B	MBG1205000BA0
3	C0020100440	SPRING, tension	SPPTVTBD010030	1		ACA16C00160	ACA16C00160A0
4	H42771	BUMPER	SPPTVTBD010040	1		ACA11C01160	ACA11C01160A0
5	VA6025D	BOLT, tension	SPPTVTBD010050	1		MBA1414000B	MBA1414000BA0
6	A920364A	PLATE, set (left)	SPPTVTBD010060	1		ACA11C01240	ACA11C01240A0
7	A920364B	PLATE, set (right)	SPPTVTBD010070	1		ACA11C01250	ACA11C01250A0
8	A9207813	FRAME Engine	SPPTVTBD010080	1		ACA16C00171	ACA16C00171A0
9	A9207822	STAND	SPPTVTBD010090	1		ACA16C00181	ACA16C00181A0
10	A920909	STUD	SPPTVTBD010100	2		MDB1406600B	MDB1406600BA0
11	A921020B	BLOCK Special	SPPTVTBD010110	1		ACA11C01290	ACA11C01290A0
12	A921027	NUT	SPPTVTBD010120	2		MNA1420000B	MNA1420000BA0
15	C0020200330	Wheel Exchanger, Tiller	SPPTVTBD010130	1		ACA45C00500	ACA45C00500A0
M1	M30412	WASHER, Spring	SPPTVTBD010140	4		MWL1203002G	MWL1203002GA0
M2	M10010025	BOLT, Hexagon	SPPTVTBD010150	2		MBA1002003B	MBA1002003BA0
M3	M10014030	BOLT, Hexagon	SPPTVTBD010160	4		MBA1403004B	MBA1403004BA0
M4	M17012N	NUT, Hexagon	SPPTVTBD010170	4		MNC1209500B	MNC1209500BA0
M5	M17010	NUT	SPPTVTBD010180	2		MNA1008001B	MNA1008001BA0
M6	M17214	NUT, Thin	SPPTVTBD010190	2		MNA1400800B	MNA1400800BA0
M7	M39016X15	PIN, Split	SPPTVTBD010200	1		MTG0201500G	MTG0201500GA0
M8	M3936016	PIN, Clevis	SPPTVTBD010210	1		MPC0601600G	MPC0601600GA0
M9	M17012N	NUT, Nyloc	SPPTVTBD010220	2		MNC1209500B	MNC1209500BA0
M10	M30414	WASHER, Spring	SPPTVTBD010230	2		MWL1403502G	MWL1403502GA0



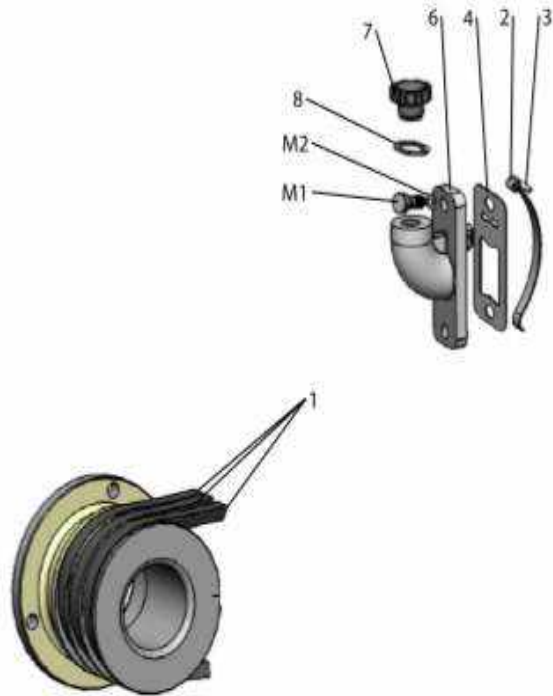
WHEEL							
SL.NO.	PART NO.	PART NAME	ERP CODE	QTY	REMARKS	Dir Part no	SAP Part no
1	H43188X0K0	WHEEL, Disc A	SPPTVTBD020010	2		ACA97C00150	ACA97C00150A1
	H431882B	WHEEL, Disc B	SPPTVTBD020020	2		ACA19C00031	ACA19C00031A0
2	A920381A	TYRE	SPPTVTBD020030	2	600 - 1 2	ACA19C00000	ACA19C00000A0
3	A92038121	TUBE	SPPTVTBD020040	2	600 - 1 2	ACA19C00010	ACA19C00010A0
4	C0020200240	NUT Wheel	SPPTVTBD020050	8		MNA1434000B	MNA1434000BA0
M1	M10010020	BOLT Hex Head	SPPTVTBD020060	8		MBA1002003B	MBA1002003BA0
M2	M17010N	NUT Nyloc	SPPTVTBD020070	8		MNC1008000B	MNC1008000BA0
M3	M30414	WASHER, Spring	SPPTVTBD020080	8		MWL1403502G	MWL1403502GA0
M4	M30010	WASHER PLAIN	SPPTVTBD020090	8		MWA1101600B	MWA1101600BA0





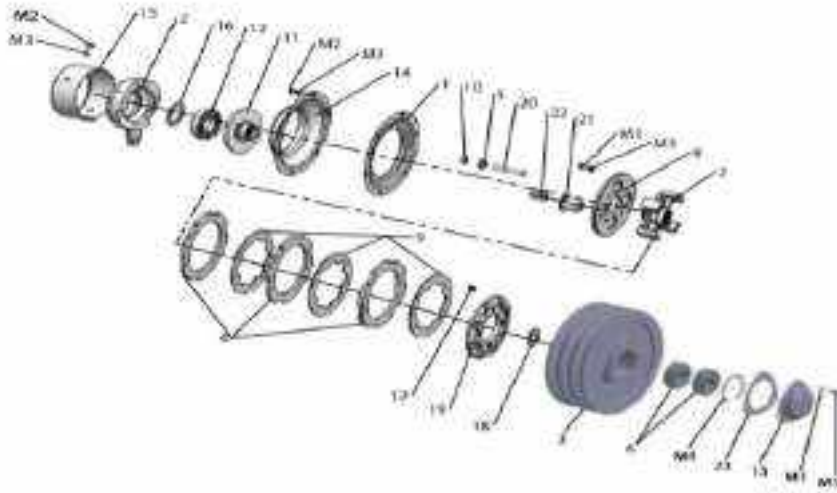
TRANSMISSION CASE							
SL.NO.	PART NO.	PART NAME	ERP CODE	QTY	REMARKS	Dir Part no	SAP Part no
1	18010200440	PLUG, Drain (M18) Magnet	SPPTVTBD030010	1		MUG0180002B	MUG0180002BA0
2	C0031000340	PLUG, Drain (M10) Magnet	SPPTVTBD030020	2		MUG0100003B	MUG0100003BA0
4	A9210175	CASE, TRANSMISSION	SPPTVTBD030030	1		ACA11C00870	ACA11C00870A0
5	VA6014	GAUGE, oil level	SPPTVTBD030040	1		ACA11C01170	ACA11C01170A0
8	H43185	PACKING	SPPTVTBD030050	1		ACA11C00250	ACA11C00250A0
9	C0030100630	Plate, Inspection Cover	SPPTVTBD030060	1		ACA11C00281	ACA11C00281A0
M1	M10008016	BOLT hexagon	SPPTVTBD030070	3		MBA0801602B	MBA0801602BA0
M2	M1306012	SCREW, (Slotted)	SPPTVTBD030080	6		MSG0601201G	MSG0601201GA0
M3	M30406	WASHER, Spring	SPPTVTBD030090	6		MWL0601502B	MWL0601502BA0
M4	M30408	WASHER, Spring	SPPTVTBD030100	3		MWL0802003G	MWL0802003GA0
M5	08330001001	WASHER, Seal	SPPTVTBD030110	2		MWN0901800G	MWN0901800GA0
M6	08330001801	WASHER, Seal	SPPTVTBD030120	1		MWN1602000G	MWN1602000GA0

## ENGINE PULLEY



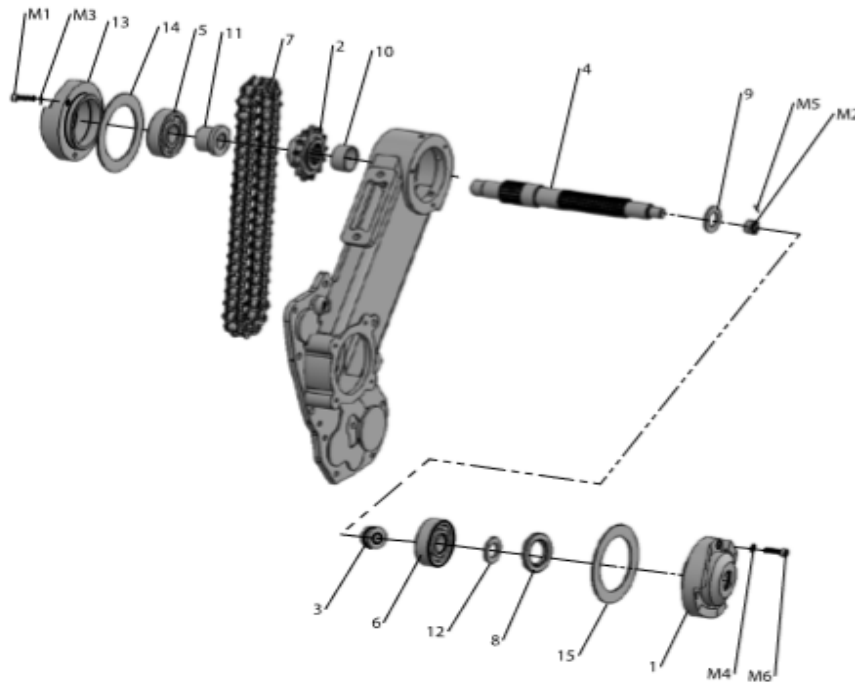
ENGINE PULLEY							
SL.NO.	PART NO.	PART NAME	ERP CODE	QTY	REMARKS	Dir Part no	SAP Part no
1	A932533R	V-BELT	SPPTVTBD040010	3	B-67"	ACA11C01190	ACA11C01190A0
2	H42536	SPRING, tension	SPPTVTBD040020	1		ACA11C00330	ACA11C00330A0
3	H42537	RIVET	SPPTVTBD040030	1		ACA11C00340	ACA11C00340A0
4	H43172	PACKING	SPPTVTBD040040	1		ACA11C00350	ACA11C00350A0
6	C0030200130	Bracket, Tension cover	SPPTVTBD040050	1		ACA11C00310	ACA11C00310A0
7	A9203851	Oiling plug	SPPTVTBD040060	1		ACA11C01360	ACA11C01360A0
8	H51388	Packing	SPPTVTBD040070	1		ACA11C01180	ACA11C01180A0
M1	M10010025	BOLT, hexagon	SPPTVTBD040080	2		MBA1002003B	MBA1002003BA0
M2	M30410	WASHER, spring	SPPTVTBD040090	2		MWL1002503G	MWL1002503GA0

## MAIN CLUTCH



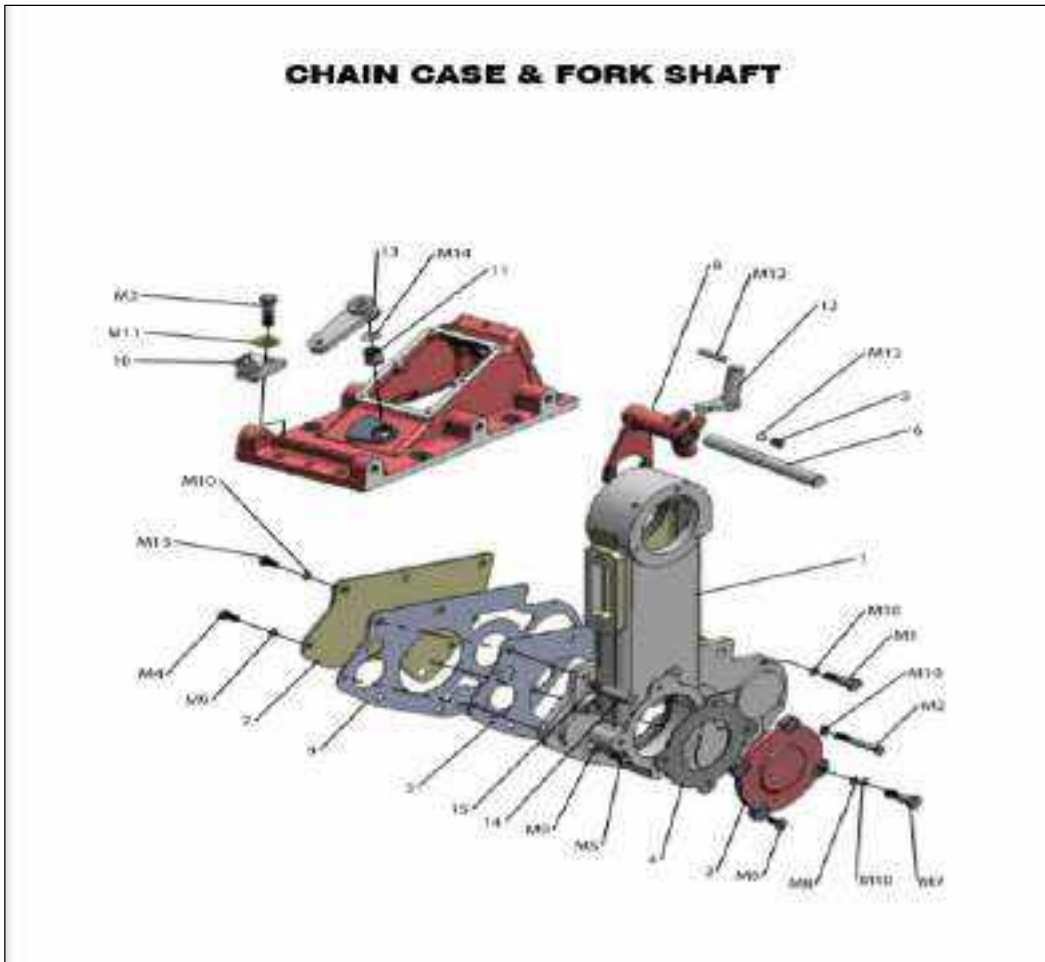
MAIN CLUTCH							
SL.NO.	PART NO.	PART NAME	ERP CODE	QTY	REMARKS	Dir Part no	SAP Part no
1	A920192	PLATE	SPPTVTBD050010	1		ACA10C00151	ACA10C00151A0
2	A920378	CAM, Clutch	SPPTVTBD050020	1		ACA10C00170	ACA10C00170A0
3	A920911	V PULLEY	SPPTVTBD050030	1		ACA97C00430	ACA97C00430A1
4	A920913	FACING, Clutch	SPPTVTBD050040	3		ACA10C00070	ACA10C00070A0
5	A921047	NUT, adjust	SPPTVTBD050050	4		MNA0809000B	MNA0809000BA0
6	A932503H	BEARING, ball (6204ZZ)	SPPTVTBD050060	2		MEG2014001G	MEG2014001GA0
7	H43014	HUB, clutch	SPPTVTBD050070	1		ACA10C00100	ACA10C00100A0
8	H430151	PLATE, clutch driven (A)	SPPTVTBD050080	1		ACA10C00090	ACA10C00090A0
9	H430161	PLATE, clutch driven (B)	SPPTVTBD050090	4		ACA10C00080	ACA10C00080A0
10	H430251	NUT, lock	SPPTVTBD050100	4		MNA0808001B	MNA0808001BA0
11	H43027	SHIFTER, clutch	SPPTVTBD050110	1		ACA10C00180	ACA10C00180A0
12	H43028	RELEASE, ASSY clutch	SPPTVTBD050120	1		ACA10C00190	ACA10C00190A0
13	C0030300540	CAP, V Pulley	SPPTVTBD050130	1		ACA11C01340	ACA11C01340A0
14	H43032B	COVER	SPPTVTBD050140	1		ACA10C00161	ACA10C00161A0
15	H430331	COVER Can Clutch	SPPTVTBD050150	1		ACA10C00201	ACA10C00201A0
16	H43039	SPACER	SPPTVTBD050160	1		ACA10C00020	ACA10C00020A0
17	H43044	SPRING	SPPTVTBD050170	8		AFA11C00000	AFA11C00000A0
18	H45163	SPACER	SPPTVTBD050180	1		ACA10C00130	ACA10C00130A0
19	H45166	PLATE, clutch compression	SPPTVTBD050190	1		ACA10C00060	ACA10C00060A0
20	H451672	STUD, spring	SPPTVTBD050200	4		MDG0804700B	MDG0804700BA0
21	H45168	HOLDER, spring	SPPTVTBD050210	4		ACA10C00110	ACA10C00110A0
22	H45169	SPRING, clutch	SPPTVTBD050220	4		ACA10C00120	ACA10C00120A0
23	C0050400541	Gasket, Cover	SPPTVTBD050230	1		ACA45C00280	ACA45C00280A0
M1	M10006020	BOLT hexagon	SPPTVTBD050240	4		MBA0602001B	MBA0602001BA0
M2	M13006010	SCREW, machine	SPPTVTBD050250	10		MSG0601002G	MSG0601002GA0
M3	M30406	WASHER, spring	SPPTVTBD050260	17		MWL0601502B	MWL0601502BA0
M4	6015B47	SNAP RING, inside	SPPTVTBD050270	1		MLS4404500G	MLS4404500GA0
M5	M13006016	SCREW, Round Head	SPPTVTBD050280	3		MSZ0000002G	MSZ0000002GA0

## PULLEY SHAFT



PULLEY SHAFT							
SL.NO.	PART NO.	PART NAME	ERP CODE	QTY	REMARKS	Dir Part no	SAP Part no
1	A9203771	HOUSING	SPPTVTBD060010	1		ACA10C00040	ACA10C00040A0
2	A9206341	SPROCKET	SPPTVTBD060020	1	13T	ACA11C00800	ACA11C00800A0
3	A920681	COLLAR	SPPTVTBD060030	1		ACA11C00770	ACA11C00770A0
4	A9210103	SHAFT, pulley	SPPTVTBD060040	1		ACA11C00810	ACA11C00810A0
5	A932502C	BEARING, ball	SPPTVTBD060050	1		MEG2014000G	MEG2014000GA0
6	A932505D	BEARING, ball	SPPTVTBD060060	1		MEG2517001G	MEG2517001GA0
7	A932515E	CHAIN, roller	SPPTVTBD060070	1	50 P 48	ACA11C01140	ACA11C01140A0
8	A932523A	SEAL, oil	SPPTVTBD060080	1		ACA10C00000	ACA10C00000A0
9	H42698	WASHER	SPPTVTBD060090	1		MWG1302600B	MWG1302600BA0
10	H430373	SPACER	SPPTVTBD060100	1		ACA11C00780	ACA11C00780A0
11	H43038	SPACER	SPPTVTBD060110	1		ACA11C00790	ACA11C00790A0
12	H43039	SPACER	SPPTVTBD060120	1		ACA10C00020	ACA10C00020A0
13	H43042	BRACKET, pulley shaft	SPPTVTBD060130	1		ACA11C00820	ACA11C00820A0
14	H43171	PACKING	SPPTVTBD060140	1		ACA11C00830	ACA11C00830A0
15	H45124	PACKING	SPPTVTBD060150	1		ACA10C00010	ACA10C00010A0
M1	M13006016	SCREW, Round Head	SPPTVTBD060160	4		MSZ0000002G	MSZ0000002GA0
M2	M17512Z1	NUT, slotted	SPPTVTBD060170	1		MNA1210003G	MNA1210003GA0
M3	M30406	WASHER, spring	SPPTVTBD060180	4		MWL0601502B	MWL0601502BA0
M4	M31106	WASHER, toothed	SPPTVTBD060190	3		MWG0702001G	MWG0702001GA0
M5	05200125025	PIN, split	SPPTVTBD060200	1	1/8"X1 1/4"	MTG2502500B	MTG2502500BA0
M6	M11206020	SOCKET HEAD CAP	SPPTVTBD060210	3		ACA10C00030	ACA10C00030A0

## CHAIN CASE & FORK SHAFT

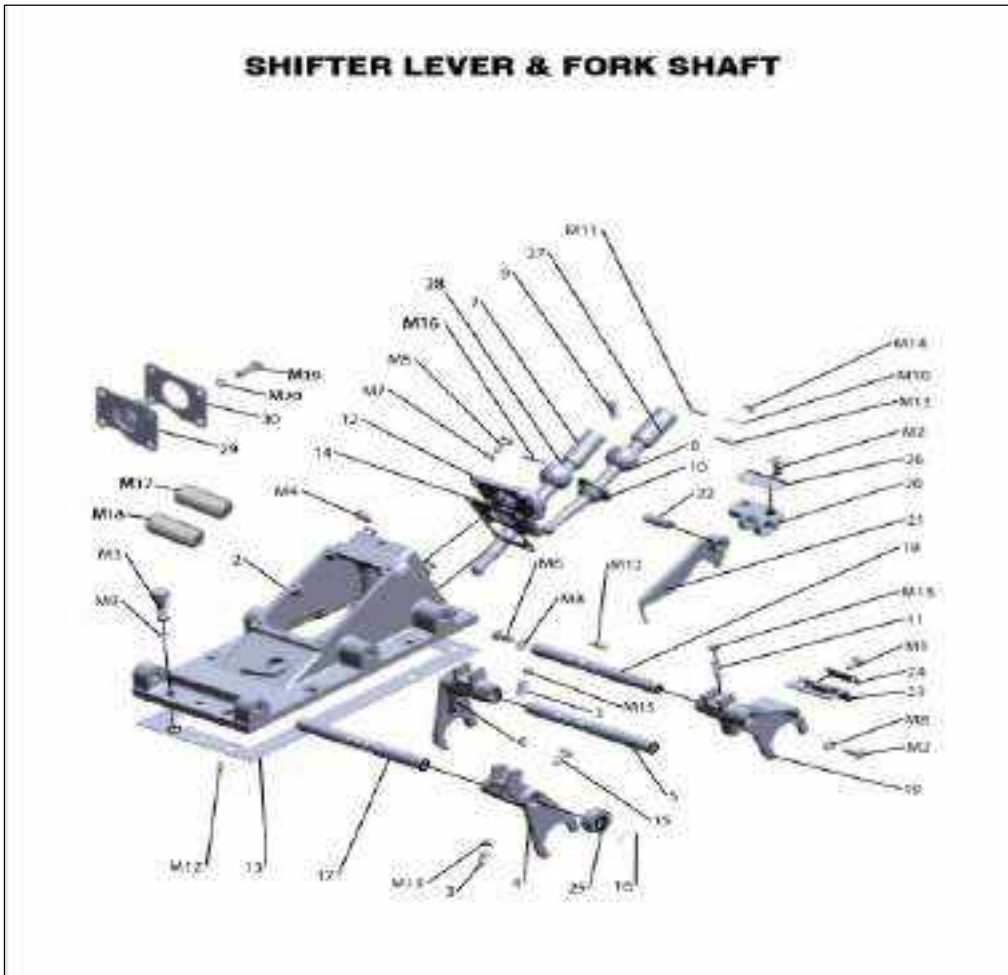


### CHAIN CASE & FORK SHAFT

SL.NO.	PART NO.	PART NAME	ERP CODE	QTY	REMARKS	Dir Part no	SAP Part no
1	A9206143	CASE, chain	SPPTVTBD070010	1		ACA11C00760	ACA11C00760A0
2	A9206151	COVER, MAIN SHAFT	SPPTVTBD070020	1		ACA11C00840	ACA11C00840A0
3	A920731	PACKING	SPPTVTBD070030	1		ACA11C00750	ACA11C00750A0
4	A920735	PACKING	SPPTVTBD070040	1		ACA11C00850	ACA11C00850A0
5	H42557	SPRING, comp.	SPPTVTBD070050	1		MGG0603401G	MGG0603401GA0
6	H43090	SHAFT, sub mission fork	SPPTVTBD070060	1		ACA11C01040	ACA11C01040A0
7	H45067 01	COVER, side	SPPTVTBD070070	1		ACA11C00681	ACA11C00681A0
8	H450921	FORK, sub mission	SPPTVTBD070080	1		ACA11C00621	ACA11C00621A0
9	H45126 01	PACKING	SPPTVTBD070090	1		ACA11C00670	ACA11C00670A0
10	H45243	END, outer	SPPTVTBD070100	2		ACA23C00090	ACA23C00090A0
11	H45276	BUSH, sub mission shifter	SPPTVTBD070110	1		ACA11C00030	ACA11C00030A0
12	H45277	SHIFTER, sub mission	SPPTVTBD070120	1		ACA11C00040	ACA11C00040A0
13	H45278	LEVER, sub mission shifter	SPPTVTBD070130	1		ACA11C00050	ACA11C00050A0
14	A920077	SPACER	SPPTVTBD070140	1		ACA11C01280	ACA11C01280A0
15	H43344	SPRING, return	SPPTVTBD070150	1		ACA11C01270	ACA11C01270A0
M1	M10008020	BOLT, hexagon	SPPTVTBD070160	1		MBA0802004B	MBA0802004BA0
M2	M10008055	BOLT, hexagon	SPPTVTBD070170	1		MBA0805501B	MBA0805501BA0
M3	M10010030	BOLT, hexagon	SPPTVTBD070180	2		MBA1003002B	MBA1003002BA0
M4	M10006012	BOLT, hexagon head	SPPTVTBD070190	6		MBA0601201B	MBA0601201BA0
M5	M10006016	BOLT, Hexagon	SPPTVTBD070200	5		MBA0601601B	MBA0601601BA0
M6	M10006016	BOLT, Hexagon head	SPPTVTBD070210	4		MBA0601601B	MBA0601601BA0
M7	M10008065	BOLT, hexagon head	SPPTVTBD070220	1		MBA0806500B	MBA0806500BA0
M8	M30008	Plain WASHER	SPPTVTBD070230	1		MWA0801602G	MWA0801602GA0
M9	M30406	WASHER, spring	SPPTVTBD070240	11		MWL0601502B	MWL0601502BA0

M10	M30408	WASHER, spring	SPPTVTBD070250	5		MWL0802003G	MWL0802003GA0
M11	M30410	WASHER, spring	SPPTVTBD070260	2		MWL1002503G	MWL1002503GA0
M12	VA6011	PIN (for submission Shifter lever)	SPPTVTBD070270	1		MPG0402800G	MPG0402800GA0
M13	M420275	BALL, steel	SPPTVTBD070280	1	11/32"	BCA12C00530	BCA12C00530A0
M14	M495141	'O'RING	SPPTVTBD070290	1		MRA0000024G	MRA0000024GA0
M15	M10008016	BOLT, hexagon head	SPPTVTBD070300	4		MBA0801602B	MBA0801602BA0

## SHIFTER LEVER & FORK SHAFT



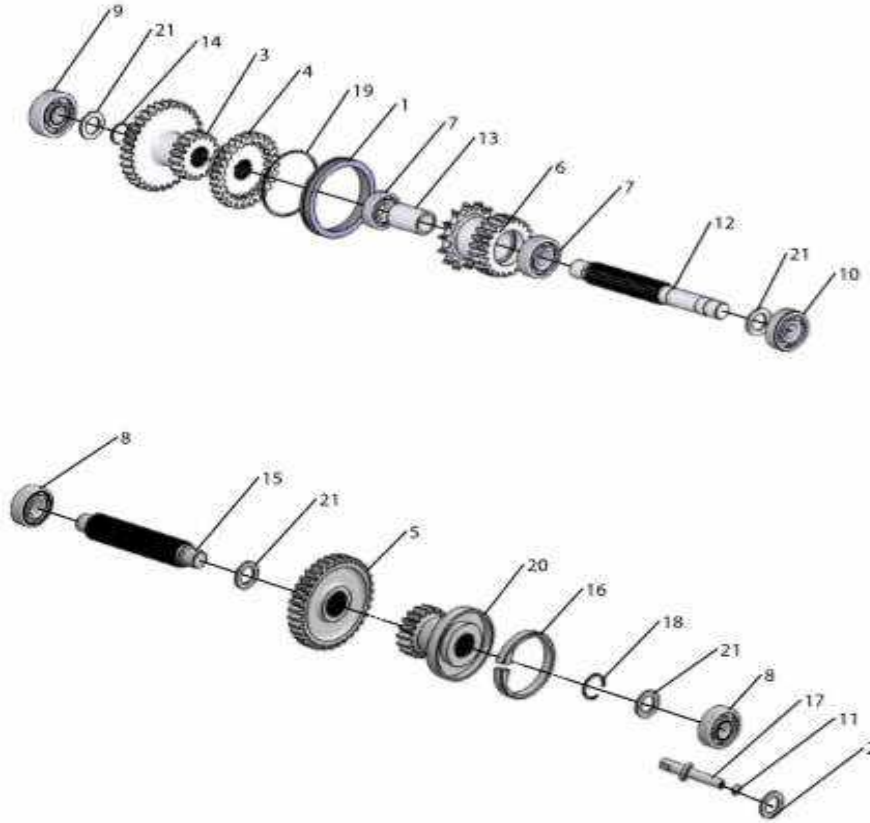
### SHIFTER LEVER & FORK SHAFT

SL.NO.	PART NO.	PART NAME	ERP CODE	QTY	REMARKS	Dir Part no	SAP Part no
1	A920236	PIN, clevis	SPPTVTBD080010	1		MPG0601000G	MPG0601000GA0
2	A9210241	COVER, upper	SPPTVTBD080020	1		ACA11C00860	ACA11C00860A0
3	H42557	SPRING, compression	SPPTVTBD080030	2		MGG0603401G	MGG0603401GA0
4	H430771	FORK, - main shaft	SPPTVTBD080040	1		ACA11C00640	ACA11C00640A0
5	H43083	SHAFT, counter shaft fork	SPPTVTBD080050	1		ACA11C01050	ACA11C01050A0
6	H430841	FORK, countershaft	SPPTVTBD080060	1		ACA11C00630	ACA11C00630A0
7	H43131	LEVER, ASS'Y Shifter	SPPTVTBD080070	1		ACA11C00080	ACA11C00080A0
8	H43133	BALL, journal	SPPTVTBD080080	1		MEB3000001G	MEB3000001GA0
9	H43134	PIN	SPPTVTBD080090	1		MPG0604600B	MPG0604600BA0
10	H431351	RUBBER, seal	SPPTVTBD080100	1		ACA11C00010	ACA11C00010A0
11	H43143	SPRING	SPPTVTBD080110	1		MGG0603400G	MGG0603400GA0
12	H43145	CAP, joint	SPPTVTBD080120	1		ACA11C00000	ACA11C00000A0
13	H43176	PACKING	SPPTVTBD080130	1		ACA11C00060	ACA11C00060A0
14	H43183	PACKING	SPPTVTBD080140	1		ACA11C00020	ACA11C00020A0
15	H44092	SCREW, set	SPPTVTBD080150	1		MSG0801200G	MSG0801200GA0
16	MK93300240	WIRE, steel	SPPTVTBD080160	1	(Ø 1.6X100)	ACA23C00260	ACA23C00260A0
17	H45075	SHAFT, main shaft fork	SPPTVTBD080170	1		ACA11C01060	ACA11C01060A0
18	H45110	SHAFT, rotary fork	SPPTVTBD080180	1		ACA11C01080	ACA11C01080A0
19	H451111	FORK, rotary shaft	SPPTVTBD080190	1		ACA11C00660	ACA11C00660A0
20	H45130	BRACKET	SPPTVTBD080200	1		ACA45C00680	ACA45C00680A0
21	H45131	STOPPER, ASSY	SPPTVTBD080210	1		ACA11C01120	ACA11C01120A0
22	H45132	PIN	SPPTVTBD080220	1		ACA01C02480	ACA01C02480A0
23	H45133	PLATE, guide	SPPTVTBD080230	1		ACA11C00650	ACA11C00650A0

24	H45134	WASHER	SPPTVTBD080240	1		ACA11C01370	ACA11C01370A0
25	H45135	COLLAR	SPPTVTBD080250	1		ACA11C01070	ACA11C01070A0
26	H45136	STOPPER	SPPTVTBD080260	1		ACA11C01130	ACA11C01130A0
27	H45142	LEVER, ASSY, rotary shifter	SPPTVTBD080270	1		ACA11C00070	ACA11C00070A0
28	H43140	BALL, journal	SPPTVTBD080280	1		MEB3000000G	MEB3000000GA0
29	C0030600530	Rubber Boot	SPPTVTBD080290	1		ACA11C00090	ACA11C00090A0
30	C0030600640	Metal Plate (Rubber Boot)	SPPTVTBD080300	1		ACA11C00100	ACA11C00100A0
M1	M10006012	BOLT, hexagon	SPPTVTBD080310	2		MBA0601201B	MBA0601201BA0
M2	M10008020	BOLT, hexagon	SPPTVTBD080320	3		MBA0802004B	MBA0802004BA0
M3	M100010025	BOLT, hexagon	SPPTVTBD080330	6		MBA1002502B	MBA1002502BA0
M4	M15008008	SCREW, set	SPPTVTBD080340	1		MSG0800800G	MSG0800800GA0
M5	M13006016	Bolt, hex. Hd	SPPTVTBD080350	2		MSZ0000002G	MSZ0000002GA0
M6	M10008016	BOLT, hexagon	SPPTVTBD080360	1		MBA0801602B	MBA0801602BA0
M7	M30406	WASHER, spring	SPPTVTBD080370	2		MWL0601502B	MWL0601502BA0
M8	M30408	WASHER, spring	SPPTVTBD080380	2		MWL0802003G	MWL0802003GA0
M9	M30410	WASHER, spring	SPPTVTBD080390	6		MWL1002503G	MWL1002503GA0
M10	05200120015	PIN, split	SPPTVTBD080400	1	3/32" X 3/4"	MTG2001500B	MTG2001500BA0
M11	K7913410	PIN, Grooved	SPPTVTBD080410	2		TRA90C36730	TRA90C36730A0
M12	M39608	PIN, Grooved	SPPTVTBD080420	2		MPA0000002G	MPA0000002GA0
M13	05500004028	PIN, spring	SPPTVTBD080430	2		MPB4002800G	MPB4002800GA0
M14	M30006	WASHER, plain	SPPTVTBD080440	1		MWA0701000B	MWA0701000BA0
M15	M420275	BALL, steel	SPPTVTBD080450	3	(Ø 11/32)	BCA12C00530	BCA12C00530A0
M16	M3980432	Taper Pin	SPPTVTBD080460	1		MPG0403200G	MPG0403200GA0
M17	05301004010	Pin Grooved	SPPTVTBD080470	2		MPG0401000B	MPG0401000BA0
M18	05301008018	Pin Grooved	SPPTVTBD080480	2		MPG0801800B	MPG0801800BA0
M19	M13206020	Screw Cheese Head	SPPTVTBD080490	4		MSG0602001G	MSG0602001GA0
M20	M30406	Washer, Spring	SPPTVTBD080500	4		MWL0601502B	MWL0601502BA0



## MAIN SHAFT & SUB MISSION SHAFT

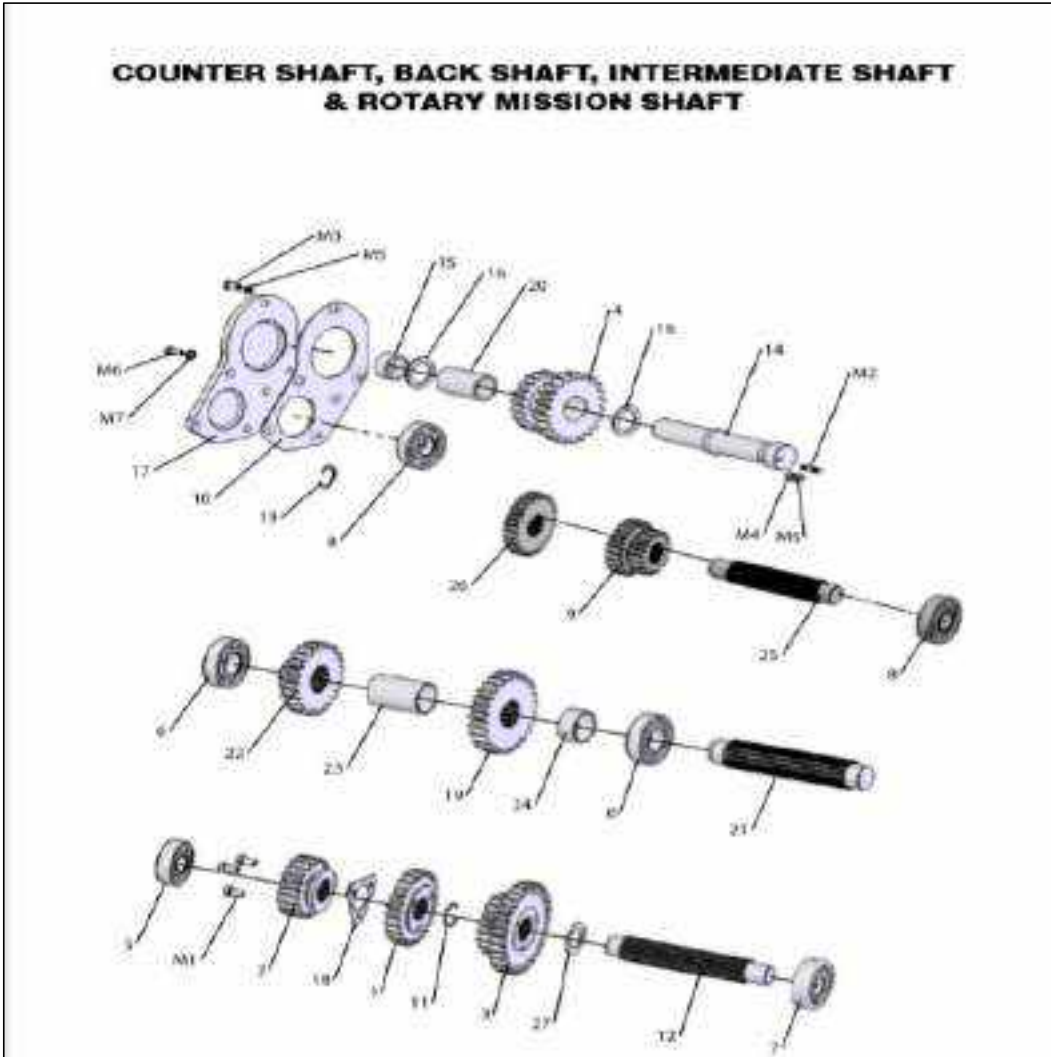


**MAIN SHAFT & SUB MISSION SHAFT**

SL.NO.	PART NO.	PART NAME	ERP CODE	QTY	REMARKS	Dir Part no	SAP Part no
1	A920034	SLEEVE	SPPTVTBD090010	1		ACA11C00290	ACA11C00290A0
2	A920365	WASHER	SPPTVTBD090020	1		MWG1000800B	MWG1000800BA0
3	A9205501	GEAR, main shaft 1st	SPPTVTBD090030	1	17T, 33T	ACA11C00270	ACA11C00270A0
4	A9205512	GEAR, main shaft 2nd	SPPTVTBD090040	1	28T	ACA11C00320	ACA11C00320A0
5	A9205551	GEAR, sub mission	SPPTVTBD090050	1	19T, 35T	ACA11C00400	ACA11C00400A0
6	A9206351	GEAR, main shaft driving	SPPTVTBD090060	1	14T, 22T	ACA11C00370	ACA11C00370A0
7	A932500A	BEARING, ball	SPPTVTBD090070	2		MEB2012000G	MEB2012000GA0
8	A932502C	BEARING, ball	SPPTVTBD090080	2		MEG2014000G	MEG2014000GA0
9	A932505C	BEARING, ball	SPPTVTBD090090	1		MEB2015000G	MEB2015000GA0
10	A932509B	BEARING, ball	SPPTVTBD090100	1		MEB2014300G	MEB2014300GA0
11	A932530H	O RING	SPPTVTBD090110	1		MRA0102400G	MRA0102400GA0
12	H430701	SHAFT, main	SPPTVTBD090120	1		ACA11C00360	ACA11C00360A0
13	H43074	SPACER	SPPTVTBD090130	1		ACA11C00380	ACA11C00380A0
14	H43075	RING SET	SPPTVTBD090140	1		MRG0221400G	MRG0221400GA0
15	H430851	SHAFT, sub mission	SPPTVTBD090150	1		ACA11C00420	ACA11C00420A0
16	H43088	SHOE, brake	SPPTVTBD090160	1		ACA11C00300	ACA11C00300A0

17	H430891	SHAFT, brake cam	SPPTVTBD090170	1		ACA20C00010	ACA20C00010A0
18	H43092	RING, set	SPPTVTBD090180	1		MRG0271800G	MRG0271800GA0
19	H45065	RING, set	SPPTVTBD090190	1		MRG0881400G	MRG0881400GA0
20	H450872	GEAR, sub mission shaft	SPPTVTBD090200	1	18T	ACA11C00410	ACA11C00410A0
21	H56552	SPACER	SPPTVTBD090210	4		ACA11C00390	ACA11C00390A0

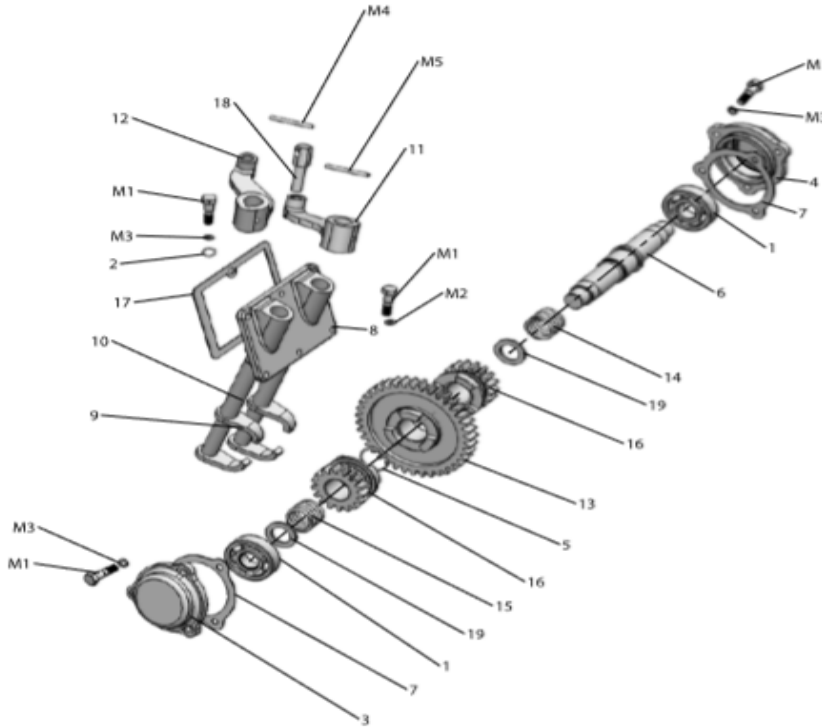
### COUNTER SHAFT, BACK SHAFT, INTERMEDIATE SHAFT & ROTARY MISSION SHAFT



COUNTER SHAFT, BACK SHAFT, INTERMEDIATE SHAFT & ROTARY MISSION SHAFT.							
SL.NO.	PART NO.	PART NAME	ERP CODE	QTY	REMARKS	Dir Part no	SAP Part no
1	A920552	2nd GEAR, drive	SPPTVTBD100010	1	25T	ACA11C00450	ACA11C00450A0
2	A920553	1st GEAR, counter shaft	SPPTVTBD100020	1	20T	ACA11C00430	ACA11C00430A0
3	A9205541	GEAR, counter shaft	SPPTVTBD100030	1	20T, 31 T	ACA11C00440	ACA11C00440A0
4	A9205562	GEAR, back shaft	SPPTVTBD100040	1	20T, 23T assy	ACA11C00490	ACA11C00490A0
5	A932502C	BEARING, ball	SPPTVTBD100050	1		MEG2014000G	MEG2014000GA0
6	A932502D	BEARING, ball	SPPTVTBD100060	2		MEG2515001G	MEG2515001GA0
7	A932505C	BEARING, ball	SPPTVTBD100070	1		MEB2015000G	MEB2015000GA0
8	A932505D	BEARING, ball	SPPTVTBD100080	2		MEG2517001G	MEG2517001GA0
9	H451071	GEAR, rotary change	SPPTVTBD100090	1	18T/23T	ACA11C00550	ACA11C00550A0
10	H45123	PACKING	SPPTVTBD100100	1		ACA11C00700	ACA11C00700A0
11	H43075	O RING	SPPTVTBD100110	1		MRG0221400G	MRG0221400GA0
12	H430801	SHAFT, counter	SPPTVTBD100120	1		ACA11C00470	ACA11C00470A0
13	H43092	RING, set	SPPTVTBD100130	1		MRG0271800G	MRG0271800GA0
14	H4311002	SHAFT, back	SPPTVTBD100140	1		ACA11C00480	ACA11C00480A0
15	H43113	SPACER	SPPTVTBD100150	1		ACA11C00950	ACA11C00950A0
16	H43114	SPACER	SPPTVTBD100160	2		ACA11C01030	ACA11C01030A0
17	H450622	COVER, side	SPPTVTBD100170	1		ACA11C00690	ACA11C00690A0
18	H45084	STOPPER	SPPTVTBD100180	1		ACA11C00460	ACA11C00460A0

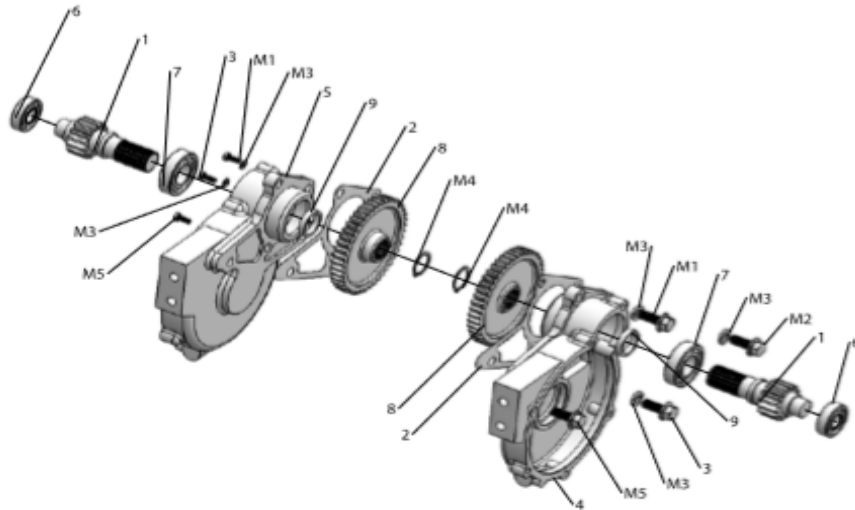
19	H450881	GEAR, rotary driven	SPPTVTBD100190	1	27T	ACA11C00520	ACA11C00520A0
20	H45099	BUSH	SPPTVTBD100200	1		ACA11C01650	ACA11C01650A0
21	H451001	SHAFT, intermediate	SPPTVTBD100210	1		ACA11C00540	ACA11C00540A0
22	H45101	GEAR, intermediate	SPPTVTBD100220	1	24T	ACA11C00530	ACA11C00530A0
23	H45102	SPACER	SPPTVTBD100230	1		ACA11C00500	ACA11C00500A0
24	H45103	SPACER	SPPTVTBD100240	1		ACA11C00510	ACA11C00510A0
25	H451051	SHAFT, rotary mission	SPPTVTBD100250	1		ACA11C00570	ACA11C00570A0
26	H45106A2	GEAR, rotary driven	SPPTVTBD100260	1	26T	ACA11C00560	ACA11C00560A0
27	H45159	SPACER	SPPTVTBD100270	1		ACA11C00940	ACA11C00940A0
M1	M10006025	BOLT, hexagon	SPPTVTBD100280	3		MBA0602500B	MBA0602500BA0
M2	M11706020	STUD	SPPTVTBD100290	1		MDG0602001G	MDG0602001GA0
M3	M13006016	SCREW Bolt	SPPTVTBD100300	5		MSZ0000002G	MSZ0000002GA0
M4	M17006	NUT, hexagon	SPPTVTBD100310	1		MNA0605501B	MNA0605501BA0
M5	M30406	WASHER, spring	SPPTVTBD100320	6		MWL0601502B	MWL0601502BA0
M6	M10008016	BOLT, hexagon head	SPPTVTBD100330	1		MBA0801602B	MBA0801602BA0
M7	M30408	WASHER, spring	SPPTVTBD100340	1		MWL0802003G	MWL0802003GA0

## STEERING CLUTCH



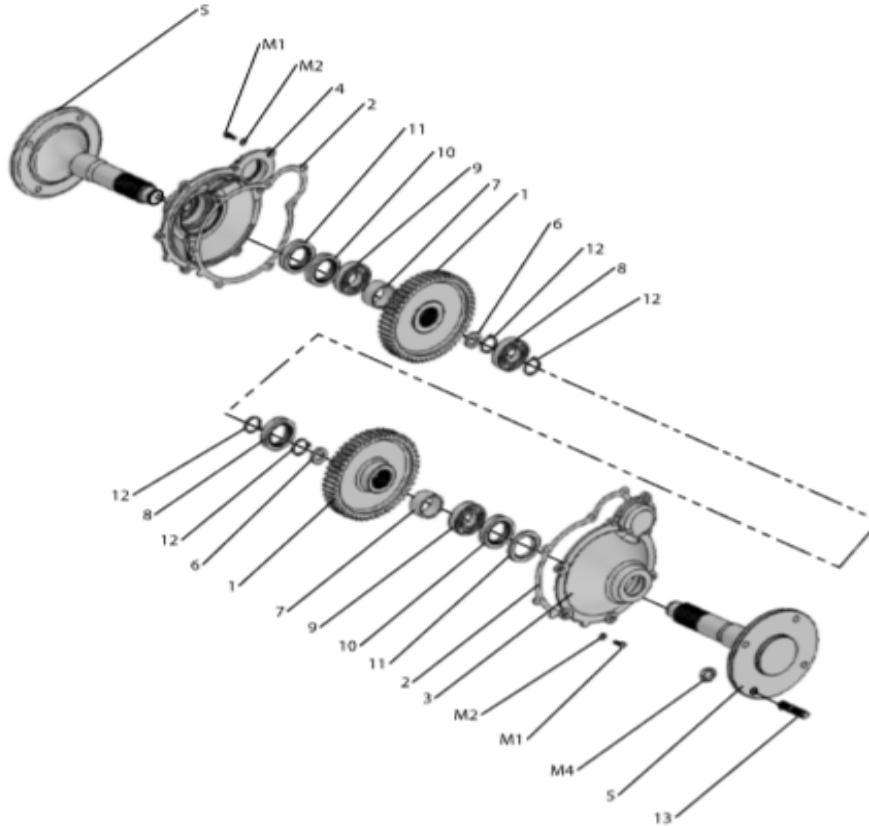
STEERING CLUTCH							
SL.NO.	PART NO.	PART NAME	ERP CODE	QTY	REMARKS	Dlr Part no	SAP Part no
1	A932505C	BEARING, ball	SPPTVTBD110010	2		MEB2015000G	MEB2015000GA0
2	A932529Y	O RING	SPPTVTBD110010	2		MRA0171000G	MRA0171000GA0
3 & 4	H43068	COVER, side clutch (left)	SPPTVTBD110010	2		ACA11C00710	ACA11C00710A0
5	H43093	RING LOCK	SPPTVTBD110010	1		MRG0281800G	MRG0281800GA0
6	H43095	SHAFT, side clutch	SPPTVTBD110010	1		ACA11C00580	ACA11C00580A0
7	H43180	PACKING	SPPTVTBD110010	2		ACA11C00720	ACA11C00720A0
8	H43431	COVER, front mission	SPPTVTBD110010	1		ACA11C00730	ACA11C00730A0
9	H43433A	YOKE, side clutch (left)	SPPTVTBD110010	1		ACA11C00920	ACA11C00920A0
10	H43433B	YOKE, side clutch (right)	SPPTVTBD110010	1		ACA11C00930	ACA11C00930A0
11	H43434	LEVER, side clutch (right)	SPPTVTBD110010	1		ACA11C01090	ACA11C01090A0
12	H43435	LEVER, side clutch (left)	SPPTVTBD110010	1		ACA11C01100	ACA11C01100A0
13	H450894	GEAR, side clutch shaft	SPPTVTBD110010	1	39T	ACA11C00610	ACA11C00610A0
14	H450942A	SPRING, clutch (right)	SPPTVTBD110010	1		ACA11C00910	ACA11C00910A0
15	H450942B	SPRING, clutch (left)	SPPTVTBD110010	1		ACA11C00600	ACA11C00600A0
16	H450971	CLUTCH, side	SPPTVTBD110010	2	17T	ACA11C00590	ACA11C00590A0
17	H45122	PACKING	SPPTVTBD110010	1		ACA11C00740	ACA11C00740A0
18	H45244	PIECE, end	SPPTVTBD110010	2		ACA11C01110	ACA11C01110A0
19	H56552	SPACER	SPPTVTBD110010	2		ACA11C00390	ACA11C00390A0
M1	M10006016	BOLT, hexagon	SPPTVTBD110010	14		MBA0601601B	MBA0601601BA0
M2	M17006	NUT, hexagon	SPPTVTBD110010	2		MNA0605501B	MNA0605501BA0
M3	M30406	WASHER, spring	SPPTVTBD110010	12		MWL0601502B	MWL0601502BA0
M4	05200120015	PIN, split	SPPTVTBD110010	2	3/32"x1"	MTG2001500B	MTG2001500BA0
M5	M34005028	KEY, sunk	SPPTVTBD110010	2		ACA98C00500	ACA98C00500A0

## FINAL SHAFT & CASE



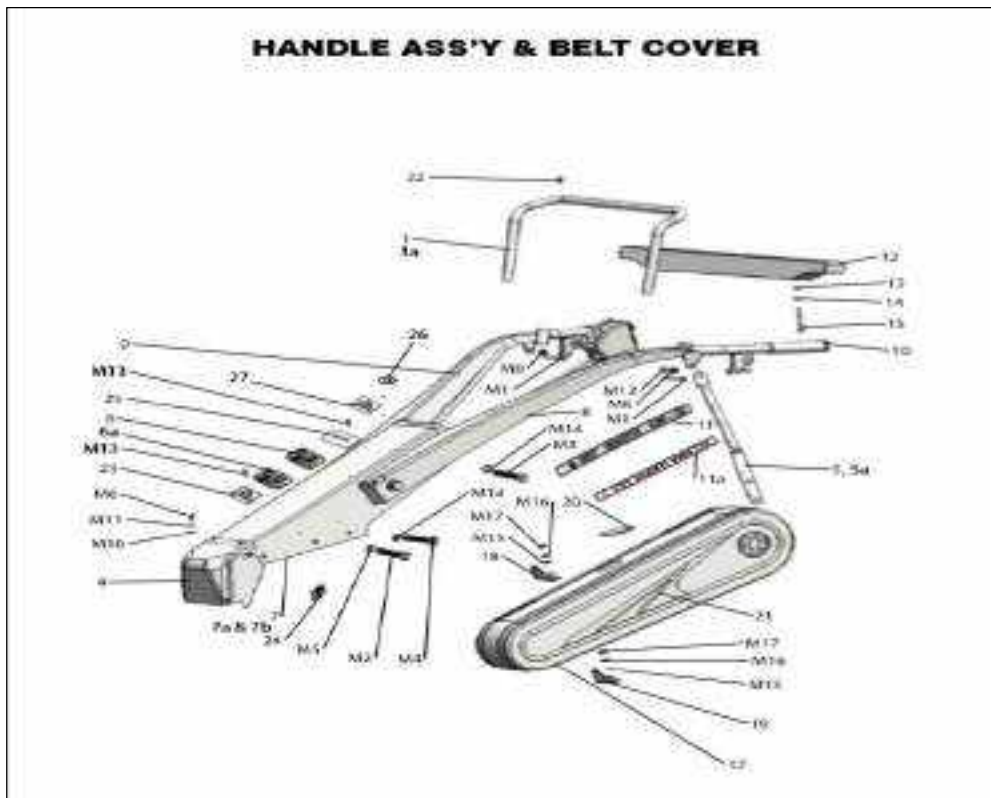
FINAL SHAFT & CASE							
SL.NO.	PART NO.	PART NAME	ERP CODE	QTY	REMARKS	Dir Part no	SAP Part no
1	A920020	SHAFT, final drive	SPPTVTBD120010	2	15T	ACA11C00260	ACA11C00260A0
2	A920046	Packing	SPPTVTBD120020	2		ACA11C00900	ACA11C00900A0
3	A921018	Bolt	SPPTVTBD120030	2		MBA1203400G	MBA1203400GA0
4	A9264805	CASE, final drive (left)	SPPTVTBD120040	1		ACA11C00890	ACA11C00890A0
5	A9264816	CASE, final drive (right)	SPPTVTBD120050	1		ACA11C00880	ACA11C00880A0
6	A932502D	BEARING, ball	SPPTVTBD120060	2		MEG2515001G	MEG2515001GA0
7	A932502E	BEARING, ball	SPPTVTBD120070	2		MEB3016000G	MEB3016000GA0
8	H431011	GEAR, final drive	SPPTVTBD120080	2	45T	ACA11C00230	ACA11C00230A0
9	H43108	SPACER	SPPTVTBD120090	2		ACA11C00240	ACA11C00240A0
M1	M10012030	BOLT, hexagon	SPPTVTBD120100	4		MBA1203002B	MBA1203002BA0
M2	M10012035	BOLT, hexagon	SPPTVTBD120110	2		MBA1203503B	MBA1203503BA0
M3	M30412	WASHER, spring	SPPTVTBD120120	8		MWL1203002G	MWL1203002GA0
M4	M18930	SNAP RING, outside	SPPTVTBD120130	2		MLS2801501G	MLS2801501GA0
M5	M11212025	BOLT, socket	SPPTVTBD120140	2		MBA1202502B	MBA1202502BA0

## AXLE & FINAL CASE COVER



AXLE & FINAL CASE COVER

SL.NO.	PART NO.	PART NAME	ERP CODE	QTY	REMARKS	Dir Part no	SAP Part no
1	C0031100132	AXLE, GEAR	SPPTVTBD130010	2	49T	ACA11C00210	ACA11C00210A0
2	A920045	PACKING	SPPTVTBD130020	2		ACA11C00140	ACA11C00140A0
3	A9204704	COVER, FINAL DRIVE(Left)	SPPTVTBD130030	1		ACA11C00110	ACA11C00110A0
4	A9204714	COVER, FINAL DRIVE(Right)	SPPTVTBD130040	1		ACA11C00190	ACA11C00190A0
5	C0031100221	AXLE, SHAFT FINAL	SPPTVTBD130050	2		ACA11C00200	ACA11C00200A0
6	C0031100441	SPACER 'A'	SPPTVTBD130060	2		ACA11C00160	ACA11C00160A0
7	C0031100542	SPACER 'B'	SPPTVTBD130070	2		ACA11C00170	ACA11C00170A0
8	A932502E	BEARING. Ball	SPPTVTBD130080	2		MEB3016000G	MEB3016000GA0
9	A932502G	BEARING, Ball	SPPTVTBD130090	2		MEG4018000G	MEG4018000GA0
10	A932522W	SEAL, OIL	SPPTVTBD130100	2		ACA11C00120	ACA11C00120A0
11	A932538E	SEAL, OIL	SPPTVTBD130110	2		ACA11C00130	ACA11C00130A0
12	M18930	RING, Snap	SPPTVTBD130120	4		MLS2801501G	MLS2801501GA0
13	A920909	STUD	SPPTVTBD130130	8		MDB1406600B	MDB1406600BA0
M1	M10010025	BOLT, Hexagon	SPPTVTBD130140	14		MBA1002003B	MBA1002003BA0
M2	M30410	WASHER SPRING	SPPTVTBD130150	14		MWL1002503G	MWL1002503GA0
M4	M17214	NUT, Thin	SPPTVTBD130160	8		MNA1400800B	MNA1400800BA0

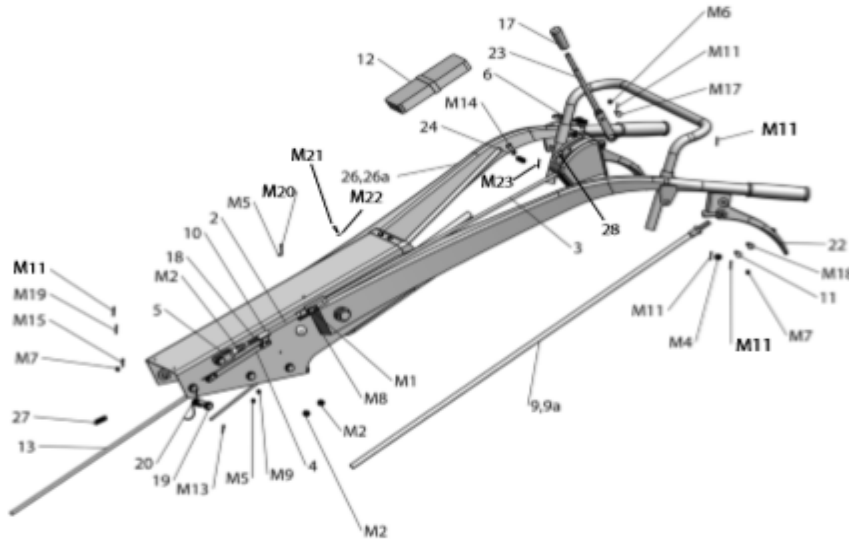


HANDLE ASS'Y & BELT COVER							
SL.NO.	PART NO.	PART NAME	ERP CODE	QTY	REMARKS	Dir Part no	SAP Part no
1	H427063	HANDLE, aux	SPPTVTBD140010	1		ACA16C00040	ACA16C00040A0
1a	C1040101030	HANDLE, aux (seating)	SPPTVTBD140020	1		ACC11C00000	ACC11C00000A0
4	C0040100920	COVER, handle chassis	SPPTVTBD140030	1		ACA11C01310	ACA11C01310A0
5	A920187	STAY, handle	SPPTVTBD140040	2		ACA48C00030	ACA48C00030A0
5a	C0040100640	STAY, handle (seating)	SPPTVTBD140050	2		ACC45C00131	ACC45C00131A0
6	C0040100131	PLATE, name (Eng./chassis)	SPPTVTBD140060	1	VST SHAKTI VWH 120	AFA40C00000	AFA40C00000A0
6a	C1040100332	PLATE name (Eng./chassis)	SPPTVTBD140070	1	VST SHAKTI 130DI	ACA40C00010	ACA40C00010A0
7	A9210075	CHASSIS, handle	SPPTVTBD140080	1	Walk Behind	ACA16C00081	ACA16C00081A0
7a	C6040100000	CHASSIS, handle (2 Piece)	SPPTVTBD140090	1	Rotary Mounted Seating	ADC16C00001	ADC16C00001A0
7b	C1040100900	CHASSIS, handle (2 Piece)	SPPTVTBD140100	1	Handle Chassis Mounted Seating	ACC11C00010	ACC11C00010A0
8	A9211601	HANDLE (left)	SPPTVTBD140110	1		ACA16C00131	ACA16C00131A0
9	A9210371	HANDLE (right)	SPPTVTBD140120	1		ACA16A00051	ACA16A00051A0
10	A9224172	GRIP handle	SPPTVTBD140130	2		ACA16C00030	ACA16C00030A0
11	C1040100120	LABEL, handle	SPPTVTBD140140	2	VST SHAKTI 130DI	ACA40C00140	ACA40C00140A0
11a	C3040100220	LABEL, handle	SPPTVTBD140150	2	VST SHAKTI VWH 120	ACA40C00370	ACA40C00370A0
12	A920372	WEIGHT, handle	SPPTVTBD140160	1		GXL00A00000	GXL00A00000A0
13	H42927	WASHER, conical	SPPTVTBD140170	2		MWG0000075G	MWG0000075GA0
14	M30410	WASHER, spring	SPPTVTBD140180	2		MWL1002503G	MWL1002503GA0
15	A0550110070	BOLT, Hex. Hd.	SPPTVTBD140190	2		ACA98C00510	ACA98C00510A0
16	C0060700130	Stickers (Tiller)	SPPTVTBD140200	1		ACA40C00120	ACA40C00120A0
17	C0030100700	Belt cover	SPPTVTBD140210	1		ACA11C01351	ACA11C01351A0
18	C0030100342	Bracket Top	SPPTVTBD140220	1		ACA11C01320	ACA11C01320A0
19	C0030100541	Bracket Bottom	SPPTVTBD140230	1		ACA11C01330	ACA11C01330A0
20	C0030100430	Rubber Grommet	SPPTVTBD140240	1		ACA11C01300	ACA11C01300A0
21	V1011400311	Sticker Graphics	SPPTVTBD140250	1		ACA40C00020	ACA40C00020A0
22	C0040100840	Rubber Plug	SPPTVTBD140260	1		ACA01C02490	ACA01C02490A0
23	V00003	Sticker Oil seal	SPPTVTBD140270	1		ACA40C00310	ACA40C00310A0
24	V000010	Sticker Oil level	SPPTVTBD140280	1		ACA40C00380	ACA40C00380A0
25	C1040100540	Plate Caution	SPPTVTBD140290	1		ADB45C00000	ADB45C00000A0
26	18110101840	Label OK	SPPTVTBD140300	1		BCA40C00030	BCA40C00030A0
27	C0060700540	Sticker (VST Shakti 100% Indian & Toll Free No.	SPPTVTBD140310	1		ACA40C00000	ACA40C00000A0
M1	M10010025	BOLT, hexagon	SPPTVTBD140320	4		MBA1002003B	MBA1002003BA0
M2	M10012025	BOLT, hexagon	SPPTVTBD140330	6		MBA1202501B	MBA1202501BA0
M3	M10014030	BOLT, hexagon	SPPTVTBD140340	2		MBA1403004B	MBA1403004BA0
M4	M10014070	BOLT, hexagon	SPPTVTBD140350	2		MBA1407000B	MBA1407000BA0
M5	M30412	WASHER, spring	SPPTVTBD140360	6		MWL1203002G	MWL1203002GA0



M6	M13006016	SCREW, slotted	SPPTVTBD140370	2		MSZ0000002G	MSZ0000002GA0
M8	M17010	NUT, hexagon	SPPTVTBD140380	4		MNA1008001B	MNA1008001BA0
M10	M30006	WASHER, plain	SPPTVTBD140390	2		MWA0701000B	MWA0701000BA0
M11	M30406	WASHER, spring	SPPTVTBD140400	2		MWL0601502B	MWL0601502BA0
M12	M30410	WASHER, spring	SPPTVTBD140410	2		MWL1002503G	MWL1002503GA0
M13	M35002	RIVET	SPPTVTBD140420	6		ACA16C00060	ACA16C00060A0
M14	M30414	WASHER, spring	SPPTVTBD140430	4		MWL1403502G	MWL1403502GA0
M15	M30408	WASHER, spring	SPPTVTBD140440	7		MWL0802003G	MWL0802003GA0
M16	M30008	WASHER, plain	SPPTVTBD140450	4		MWA0801602G	MWA0801602GA0
M17	M17008	Nut	SPPTVTBD140460	2		MNA0806000B	MNA0806000BA0
M18	M10008016	Bolt Hexagon	SPPTVTBD140470	5		MBA0801602B	MBA0801602BA0
M19	M30408	Washer Spring	SPPTVTBD140480	3		MWL0802003G	MWL0802003GA0

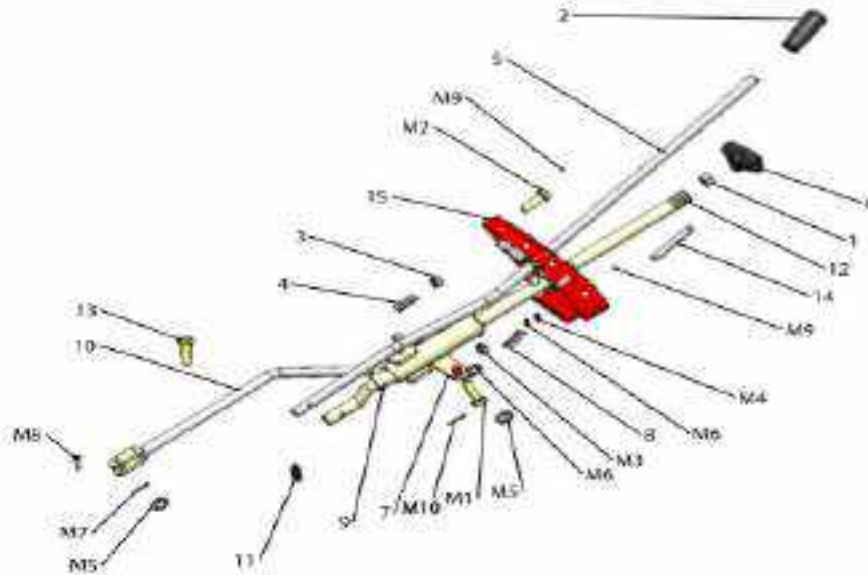
## MAIN CLUTCH LEVER & SIDE CLUTCH LEVER



MAIN CLUTCH LEVER & SIDE CLUTCH LEVER							
SL.NO.	PART NO.	PART NAME	ERP CODE	QTY	REMARKS	Dlr Part no	SAP Part no
2	A920131	ROD, main clutch (A)	SPPTVTBD150010	1		ACA16C00190	ACA16C00190A0
3	A9201321	ROD, main clutch (B)	SPPTVTBD150010	1		ACA16C00150	ACA16C00150A0
4	A920158	ROD, brake connect	SPPTVTBD150010	1		ACA16C00230	ACA16C00230A0
5	A9201591	FORK, joint	SPPTVTBD150010	1		ACA16C00220	ACA16C00220A0
6	A9204801	LEVER, throttle	SPPTVTBD150010	1		ACA16C00100	ACA16C00100A0
9	A921014	CABLE, clutch	SPPTVTBD150010	2		ACA10C00210	ACA10C00210A0
9a	A921014C	Clutch Inner Cable	SPPTVTBD150010	2		ACA10C00239	ACA10C00239A0
10	A922439	CONNECTOR	SPPTVTBD150010	1		ACA16C00200	ACA16C00200A0
11	A9295271	PIN	SPPTVTBD150010	2		MPG1002600B	MPG1002600BA0
12	A932542	BAG, tool	SPPTVTBD150010	1		ACA99C00260	ACA99C00260A0
13	C0040101021	Wiring Harness	SPPTVTBD150010	1		ACA34C00030	ACA34C00030A0
17	27724043000	GRIP	SPPTVTBD150010	1		BCA02C00060	BCA02C00060A0
18	H43329	SPRING, comp	SPPTVTBD150010	1		ACA16C00210	ACA16C00210A0
19	H43342	LEVER, brake	SPPTVTBD150010	1		ACA20C00000	ACA20C00000A0
20	H43344	SPRING, return	SPPTVTBD150010	1		ACA11C01270	ACA11C01270A0
22	H4419203	LEVER, side clutch	SPPTVTBD150010	2		ACA16C00090	ACA16C00090A0
23	H452154	LEVER, main clutch	SPPTVTBD150010	1		ACA16C00140	ACA16C00140A0
24	H45217	SPRING, return	SPPTVTBD150010	1		ACA16C00120	ACA16C00120A0

26	H502701	Bowden cable	SPPTVTBD150010	1		ACA16C00110	ACA16C00110A0
26a	H50271	Inner Cable	SPPTVTBD150010	1		ACA10C00250	ACA10C00250A0
27	Z18380	SPRING, return	SPPTVTBD150010	1		TRA90C21080	TRA90C21080A0
28	H45295	Sign Plate Brake off	SPPTVTBD150010	1		ACA16C00250	ACA16C00250A0
M1	M10008016	BOLT, hexagon	SPPTVTBD150010	1		MBA0801602B	MBA0801602BA0
M2	M17008	NUT, hexagon	SPPTVTBD150010	9		MNA0806000B	MNA0806000BA0
M4	M17212	NUT, Thin	SPPTVTBD150010	2		MNA1207001B	MNA1207001BA0
M5	M30006	WASHER, plain	SPPTVTBD150010	2		MWA0701000B	MWA0701000BA0
M6	M30408	WASHER, Spring	SPPTVTBD150010	1		MWL0802003G	MWL0802003GA0
M7	M30010	WASHER, Plain	SPPTVTBD150010	4		MWA1101600B	MWA1101600BA0
M8	M30408	WASHER, Spring	SPPTVTBD150010	1		MWL0802003G	MWL0802003GA0
M9	05200120012	PIN, split	SPPTVTBD150010	2	3/32"x1"	MTG2001200B	MTG2001200BA0
M11	M39003020	PIN, split	SPPTVTBD150010	7	1/8"x1"	MTA0302000B	MTA0302000BA0
M13	0550004028	PIN spring	SPPTVTBD150010	1		MPB0402800G	MPB0402800GA0
M14	M39312065	PIN clevis	SPPTVTBD150010	1		MPC1206500B	MPC1206500BA0
M15	M3936016	PIN clevis	SPPTVTBD150010	1		MPC0601600G	MPC0601600GA0
M17	M39408026	PIN clevis	SPPTVTBD150010	1		MPC0802600B	MPC0802600BA0
M18	M39408030	PIN clevis	SPPTVTBD150010	2		MPC0803000G	MPC0803000GA0
M19	M39410X30	PIN clevis	SPPTVTBD150010	1		MPC1003000G	MPC1003000GA0
M20	M39016X15	PIN, split	SPPTVTBD150010	1		MTG0201500G	MTG0201500GA0
M21	M13206015	Screw, Round Head	SPPTVTBD150010	6		MSG0601501G	MSG0601501GA0
M22	M30406	WASHER, Spring	SPPTVTBD150010	6		MWL0601502B	MWL0601502BA0
M23	M35002	REVIT	SPPTVTBD150010	2		ACA16C00060	ACA16C00060A0

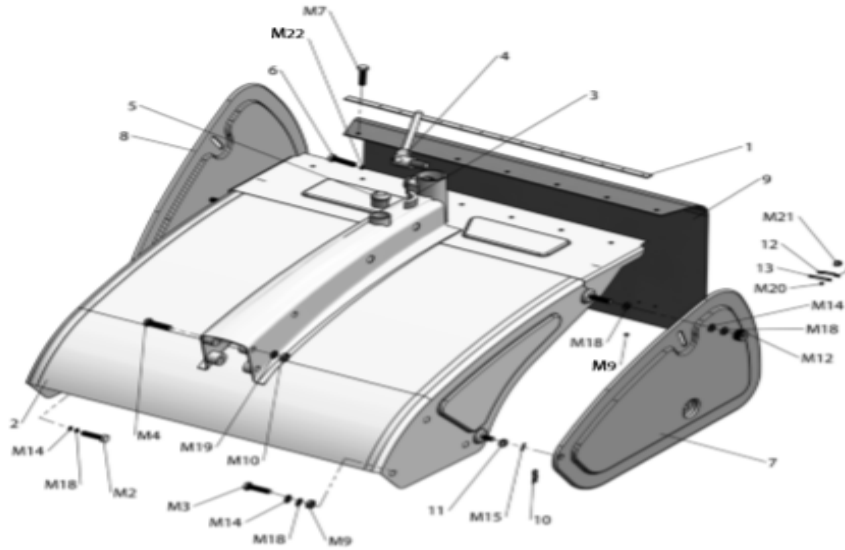
## MISSION LEVER & SUB MISSION LEVER



MISSION LEVER & SUB MISSION LEVER							
SL.NO.	PART NO.	PART NAME	ERP CODE	QTY	REMARKS	Dir Part no	SAP Part no
1	A921039	NUT, lock	SPPTVTBD160010	1		MNP1006000B	MNP1006000BA0
2	06900012360	GRIP, B	SPPTVTBD160020	1		MGG1840000G	MGG1840000GA0
3	H42762	STOPPER	SPPTVTBD160030	1		ACA11C01230	ACA11C01230A0
4	H42764	SPRING	SPPTVTBD160040	1		ACA11C01220	ACA11C01220A0
5	H45140A3	LEVER, speed change	SPPTVTBD160050	1		ACA11C01210	ACA11C01210A0
6	H45234	GRIP	SPPTVTBD160060	1		MGG1980000G	MGG1980000GA0
7	H45237	PLATE, guide	SPPTVTBD160070	1		ACA10C00221	ACA10C00221A0
8	H45238	spring	SPPTVTBD160080	1		ACA16C00070	ACA16C00070A0
9	H45270	LEVER, rotary speed change	SPPTVTBD160090	1		ACA16C00000	ACA16C00000A0
10	H45271	ROD, submission	SPPTVTBD160100	1		ACA16C00010	ACA16C00010A0
11	H45273	FELT RING	SPPTVTBD160110	1		MRG0136000G	MRG0136000GA0
12	H45280A1	LEVER, submission	SPPTVTBD160120	1		ACA16C00020	ACA16C00020A0
13	H45282	PIN	SPPTVTBD160130	1		MPG0804600B	MPG0804600BA0
14	H452971	PLATE, sign	SPPTVTBD160140	1		ACA45C00630	ACA45C00630A0
15	H452981	PLATE, sign	SPPTVTBD160150	1		ACA16C00050	ACA16C00050A0
M1	M10006016	BOLT, hexagon	SPPTVTBD160160	2		MBA0601601B	MBA0601601BA0
M2	M13006016	SCREW, machine	SPPTVTBD160170	2		MSZ0000002G	MSZ0000002GA0
M3	M17006	NUT, hexagon	SPPTVTBD160180	2		MNA0605501B	MNA0605501BA0

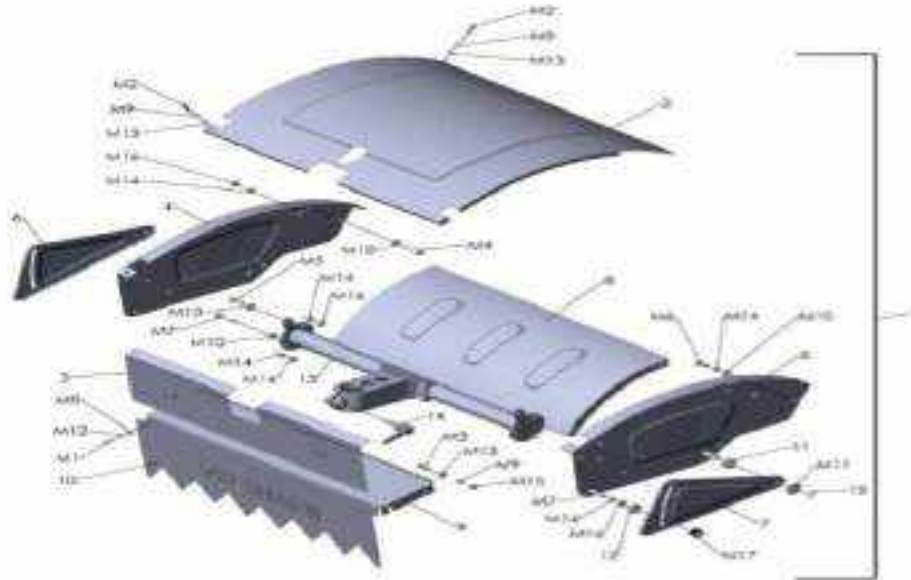
M4	M30006	WASHER, plain	SPPTVTBD160190	2		MWA0701000B	MWA0701000BA0
M5	M30008	WASHER, plain	SPPTVTBD160200	2		MWA0801602G	MWA0801602GA0
M6	M30406	WASHER, spring	SPPTVTBD160210	4		MWL0601502B	MWL0601502BA0
M7	M39003020	PIN, split	SPPTVTBD160220	1		MTA0302000B	MTA0302000BA0
M8	M39408026	PIN, clevis	SPPTVTBD160230	1		MPC0802600B	MPC0802600BA0
M9	M35002	RIVET	SPPTVTBD160240	10		ACA16C00060	ACA16C00060A0
M10	M39002020	PIN, split	SPPTVTBD160250	1		MTG0202000B	MTG0202000BA0

## ROTARY FRAME FOR WALK BEHIND



ROTARY FRAME FOR WALK BEHIND							
SL.NO.	PART NO.	PART NAME	ERP CODE	QTY	REMARKS	Dir Part no	SAP Part no
1	A920829A	PLATE, pressure	SPPTVTBD170010	1		ACA45C00401	ACA45C00401A0
2	A921033A	Frame Assy rotary	SPPTVTBD170020	1	VST SHAKTI 072/VWH 120	AFA45C00041	AFA45C00041A0
2a	C005010080	Frame Assy rotary	SPPTVTBD170030	1	VST SHAKTI 130DI	ACA45A00100	ACA45A00100A0
3	A922385	SHOE	SPPTVTBD170040	1		ACA11C01260	ACA11C01260A0
4	A922386	CLAMP, lever assy	SPPTVTBD170050	1		ACA45A00110	ACA45A00110A0
5	C0050100440	CAP furrower	SPPTVTBD170060	1		ACA45C00370	ACA45C00370A0
6	A9210021	BOLT	SPPTVTBD170070	1		MBG0000037G	MBG0000037GA0
7	H434782	COVER side (left)	SPPTVTBD170080	1		ACA45C00411	ACA45C00411A0
8	H434788	COVER, side (right)	SPPTVTBD170090	1		ACA45C00421	ACA45C00421A0
9	C0050100221	SHEET, rubber	SPPTVTBD170100	1		ACA45C00380	ACA45C00380A0
10	05210112000	R-Clip	SPPTVTBD170110	2		MPS2036000B	MPS2036000BA0
11	H432612	RUBBER, washer	SPPTVTBD170120	2		ACA11C01200	ACA11C01200A0
12	H42848	HOOK	SPPTVTBD170130	2		ACA01C02500	ACA01C02500A0
13	H43269	PLATE	SPPTVTBD170140	2		ACA01C02510	ACA01C02510A0
M2	M10010020	BOLT, hexagon	SPPTVTBD170150	3		MBA1002003B	MBA1002003BA0
M3	M10010040	BOLT, hexagon	SPPTVTBD170160	3		MBA1004002B	MBA1004002BA0
M4	M10012105	BOLT, hexagon	SPPTVTBD170170	3		MBA1210500B	MBA1210500BA0
M7	M13506016	SCREW, machine csk head	SPPTVTBD170180	7		MSG0601605B	MSG0601605BA0
M8	M17006	NUT, hexagon	SPPTVTBD170190	7		MNA0605501B	MNA0605501BA0
M9	M17010	NUT, hexagon	SPPTVTBD170200	5		MNA1008001B	MNA1008001BA0
M10	M17012	NUT, hexagon	SPPTVTBD170210	4		MNA1210002B	MNA1210002BA0
M12	M17010N	NUT, Nyloc	SPPTVTBD170220	2		MNC1008000B	MNC1008000BA0
M14	M30010	WASHER, plain	SPPTVTBD170230	8		MWA1101600B	MWA1101600BA0
M15	M30012	WASHER, plain	SPPTVTBD170240	2		MWA1302300B	MWA1302300BA0
M18	M30410	WASHER, spring	SPPTVTBD170250	10		MWL1002503G	MWL1002503GA0
M19	M30412	WASHER, spring	SPPTVTBD170260	3		MWL1203002G	MWL1203002GA0
M20	M17003	NUT	SPPTVTBD170270	4		MNA0303000B	MNA0303000BA0
M21	M1390310	SCREW, machined	SPPTVTBD170280	4		MSG0301002G	MSG0301002GA0
M22	M30410	WASHER, spring	SPPTVTBD170290	1		MWL1002503G	MWL1002503GA0

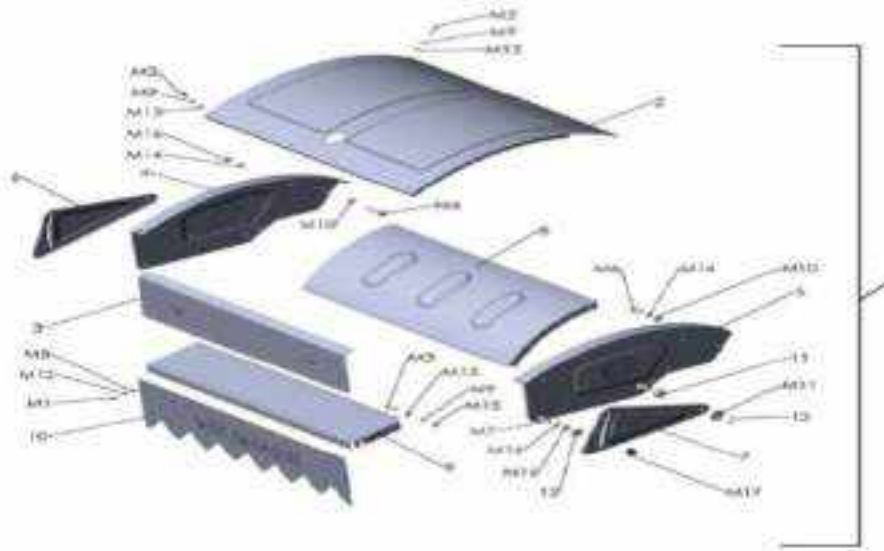
### ROTARY FRAME FOR ROTARY MOUNTED SEATING



#### ROTARY FRAME FOR TAIL WHEEL SEATING

SL.NO.	PART NO.	PART NAME	ERP CODE	QTY	REMARKS	Dir Part no	SAP Part no
1	C6050100000	Rotary Frame Assy 600mm	SPPTVTBD180010	1	Tail wheel mounted seating	ACD45A00000	ACD45A00000A0
2	C6050100200	Top Plate (rotary frame)	SPPTVTBD180010	1		ACD45C00000	ACD45C00000A0
3	C6050100310	Rear Plate (rotary frame)	SPPTVTBD180010	1		ACD45C00010	ACD45C00010A0
4	C6050100400	Rotary Side Plate LH (rotary frame)	SPPTVTBD180010	1		ACD45C00020	ACD45C00020A0
5	C6050100500	Rotary Side Plate RH (rotary frame)	SPPTVTBD180010	1		ACD45C00030	ACD45C00030A0
6	C6050100620	Side Plate LH	SPPTVTBD180010	1		ACA25C00070	ACA25C00070A0
7	C6050100720	Side Plate RH	SPPTVTBD180010	1		ACA25C00080	ACA25C00080A0
8	C6050100800	Guard Plate	SPPTVTBD180010	1		ACA11C01790	ACA11C01790A0
9	C6050100910	Inner Plate	SPPTVTBD180010	1		ACA11C01800	ACA11C01800A0
10	C1050101010	Sheet Rubber	SPPTVTBD180010	1		ACC45C00100	ACC45C00100A0
11	C1050101140	Spacer Rubber A	SPPTVTBD180010	1		ACC45C00110	ACC45C00110A0
12	C1050101240	Spacer Rubber B	SPPTVTBD180010	1		ACC45C00120	ACC45C00120A0
13	C6050400410	Pipe Assy Tail Wheel Support	SPPTVTBD180010	1		ACD45A00021	ACD45A00021A0
14	C6050400540	Clamp Lever Assy	SPPTVTBD180010	1		ACD45A00010	ACD45A00010A0
15	05210112000	R-Clip	SPPTVTBD180010	2		MPS2036000B	MPS2036000BA0
M1	M10006010	BOLT, hexagon	SPPTVTBD180010	5		MBA0601001B	MBA0601001BA0
M2	M10008020	BOLT, hexagon	SPPTVTBD180010	12		MBA0802004B	MBA0802004BA0
M3	M10008025	BOLT, hexagon	SPPTVTBD180010	2		MBA0802504B	MBA0802504BA0
M4	M10010045	BOLT, hexagon	SPPTVTBD180010	5		MBA1004500B	MBA1004500BA0
M5	M10010025	BOLT, hexagon	SPPTVTBD180010	4		MBA1002003B	MBA1002003BA0
M6	M10010020	BOLT, hexagon	SPPTVTBD180010	3		MBA1002003B	MBA1002003BA0
M7	M10010040	BOLT, hexagon	SPPTVTBD180010	6		MBA1004002B	MBA1004002BA0
M8	M30006	WASHER, plain	SPPTVTBD180010	5		MWA0701000B	MWA0701000BA0
M9	M30008	WASHER, plain	SPPTVTBD180010	14		MWA0801602G	MWA0801602GA0
M10	M30010	WASHER, plain	SPPTVTBD180010	16		MWA1101600B	MWA1101600BA0
M11	M30012	WASHER, plain	SPPTVTBD180010	2		MWA1302300B	MWA1302300BA0
M12	M30406	WASHER, spring	SPPTVTBD180010	5		MWL0601502B	MWL0601502BA0
M13	M30408	WASHER, spring	SPPTVTBD180010	16		MWL0802003G	MWL0802003GA0
M14	M30410	WASHER, spring	SPPTVTBD180010	16		MWL1002503G	MWL1002503GA0
M15	M17008	Nut	SPPTVTBD180010	2		MNA0806000B	MNA0806000BA0
M16	M17010	Nut	SPPTVTBD180010	13		MNA1008001B	MNA1008001BA0
M17	M17010N	NYLOCK NUT	SPPTVTBD180010	2		MNC1008000B	MNC1008000BA0

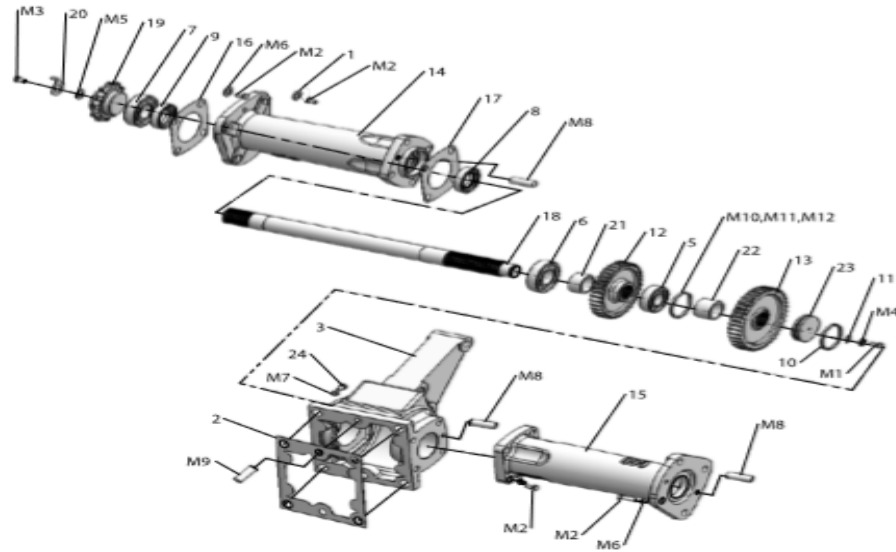
### ROTARY FRAME FOR ROTARY MOUNTED SEATING



ROTARY FRAME FOR HANDLE CHASSIS SEATING							
SL.NO.	PART NO.	PART NAME	ERP CODE	QTY	REMARKS	Dlr Part no	SAP Part no
1	C1050100000	Rotary Frame Assy 600mm	SPPTVTBD190010	1	Handle chassis mounted seating	ACC45A00030	ACC45A00030A0
2	C1050100200	Top Plate (rotary frame)	SPPTVTBD190020	1		ACC45C00020	ACC45C00020A0
3	C1050100310	Rear Plate (rotary frame)	SPPTVTBD190030	1		ACC45C00030	ACC45C00030A0
4	C1050100400	Rotary Side Plate LH (rotary frame)	SPPTVTBD190040	1		ACC45C00040	ACC45C00040A0
5	C1050100500	Rotary Side Plate RH (rotary frame)	SPPTVTBD190050	1		ACC45C00050	ACC45C00050A0
6	C1050100620	Side Plate LH	SPPTVTBD190060	1		ACC45C00060	ACC45C00060A0
7	C1050100720	Side Plate RH	SPPTVTBD190070	1		ACC45C00070	ACC45C00070A0
8	C1050100800	Guard Plate	SPPTVTBD190080	1		ACC45C00080	ACC45C00080A0
9	C1050100910	Inner Plate	SPPTVTBD190090	1		ACC45C00090	ACC45C00090A0
10	C1050101010	Sheet Rubber	SPPTVTBD190100	1		ACC45C00100	ACC45C00100A0
11	C1050101140	Spacer Rubber A	SPPTVTBD190110	1		ACC45C00110	ACC45C00110A0
12	C1050101240	Spacer Rubber B	SPPTVTBD190120	1		ACC45C00120	ACC45C00120A0
13	05210112000	R-Clip Pin Snap	SPPTVTBD190130	2		MPS2036000B	MPS2036000BA0
M1	M10006010	BOLT, hexagon	SPPTVTBD190140	5		MBA0601001B	MBA0601001BA0
M2	M10008020	BOLT, hexagon	SPPTVTBD190150	12		MBA0802004B	MBA0802004BA0
M3	M10008025	BOLT, hexagon	SPPTVTBD190160	2		MBA0802504B	MBA0802504BA0
M4	M10010045	BOLT, hexagon	SPPTVTBD190170	5		MBA1004500B	MBA1004500BA0
M5	M10010025	BOLT, hexagon	SPPTVTBD190180	4		MBA1002003B	MBA1002003BA0
M6	M10010020	BOLT, hexagon	SPPTVTBD190190	3		MBA1002003B	MBA1002003BA0
M7	M10010040	BOLT, hexagon	SPPTVTBD190200	6		MBA1004002B	MBA1004002BA0
M8	M30006	WASHER, plain	SPPTVTBD190210	5		MWA0701000B	MWA0701000BA0
M9	M30008	WASHER, plain	SPPTVTBD190220	14		MWA0801602G	MWA0801602GA0
M10	M30010	WASHER, plain	SPPTVTBD190230	16		MWA1101600B	MWA1101600BA0
M11	M30012	WASHER, plain	SPPTVTBD190240	2		MWA1302300B	MWA1302300BA0
M12	M30406	WASHER, spring	SPPTVTBD190250	5		MWL0601502B	MWL0601502BA0
M13	M30408	WASHER, spring	SPPTVTBD190260	16		MWL0802003G	MWL0802003GA0
M14	M30410	WASHER, spring	SPPTVTBD190270	16		MWL1002503G	MWL1002503GA0
M15	M17008	Nut	SPPTVTBD190280	2		MNA0806000B	MNA0806000BA0
M16	M17010	Nut	SPPTVTBD190290	13		MNA1008001B	MNA1008001BA0
M17	M17010N	NYLOCK NUT	SPPTVTBD190300	2		MNC1008000B	MNC1008000BA0



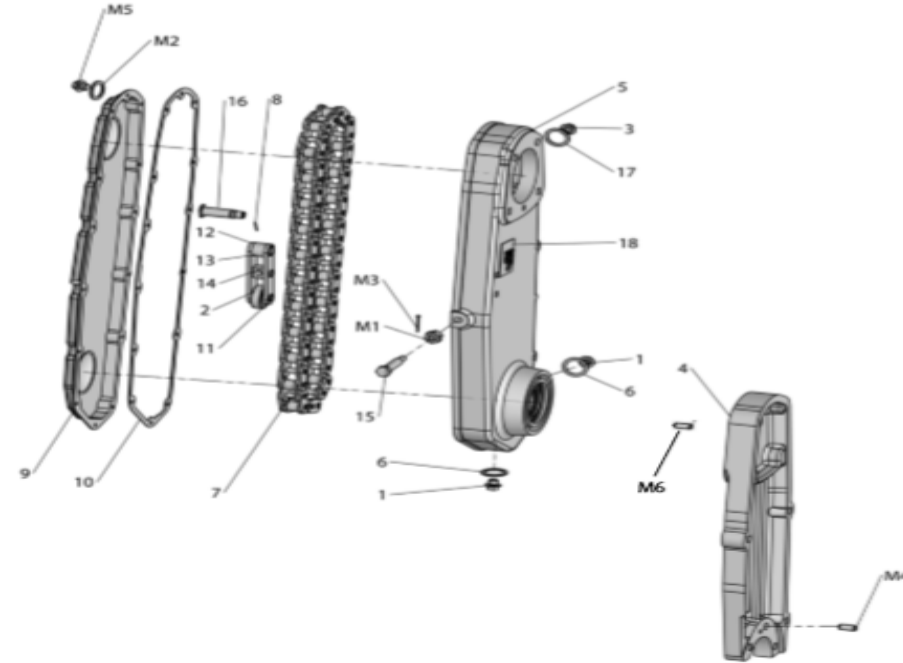
## ROTARY TRANSMISSION



ROTARY TRANSMISSION							
SL.No	PART NO.	PART NAME	ERP CODE	QTY	REMARKS	Dir Part no	SAP Part no
1	M30412	WASHER, spring	SPPTVTBD200010	8		MWL1203002G	MWL1203002GA0
2	A9201462	PACKING	SPPTVTBD200020	1		ACA45C00010	ACA45C00010A0
3	A921012A1	CASE, rotary connecti	SPPTVTBD200030	1		ACA45C00070	ACA45C00070A0
4	A922308	PIN, dowel	SPPTVTBD200040	1		MPA1202400G	MPA1202400GA0
5	A932502D	BEARING, ball	SPPTVTBD200050	1		MEG2515001G	MEG2515001GA0
6	A932502E	BEARING, ball	SPPTVTBD200060	1		MEB3016000G	MEB3016000GA0
7	A932505E	BEARING, ball	SPPTVTBD200070	1		MEB3019000G	MEB3019000GA0
8	A932519F	SEAL, oil	SPPTVTBD200080	1		ACA45C00140	ACA45C00140A0
9	A932523E	SEAL, oil	SPPTVTBD200090	1		ACA45C00150	ACA45C00150A0
10	A932530B	'O' RING	SPPTVTBD200100	1	49.7X52.4	MRA0500200G	MRA0500200GA0
11	H42609	SNAP RING	SPPTVTBD200110	1		MLS0231200G	MLS0231200GA0
12	H431921	GEAR, rotary 2nd spee	SPPTVTBD200120	1	36T	ACA45C00110	ACA45C00110A0
13	H453071	GEAR, rotary 1st spee	SPPTVTBD200130	1	41T	ACA45C00120	ACA45C00120A0
14	CH45413A	ARM, supporting (right)	SPPTVTBD200140	1	54cm (VWH 120 & VST	AFA45C00020	AFA45C00020A0
14a	CH451435	ARM, supporting (right)	SPPTVTBD200150	1	60cm (VST Shakti 130)	ACA45C00170	ACA45C00170A0
15	CH45414A	ARM, supporting (left)	SPPTVTBD200160	1		AFA45C00000	AFA45C00000A0
15a	CH45154	ARM, supporting (left)	SPPTVTBD200170	1		ACA45C00050	ACA45C00050A0
16	H45416	PACKING	SPPTVTBD200180	1		ACA45C00160	ACA45C00160A0
17	H45418B	PACKING	SPPTVTBD200190	1		ACA45C00040	ACA45C00040A0
18	H45420A1	SHAFT, rotary driving	SPPTVTBD200200	1	54cm (VWH 120 & VST	AFA45C00010	AFA45C00010A0
18a	H45420C1	SHAFT, rotary driving	SPPTVTBD200210	1	60cm (VST Shakti 130)	ACA45C00080	ACA45C00080A0
19	H45421	SPROCKET	SPPTVTBD200220	1	12T	ACA11C01510	ACA11C01510A0
20	H45423	WASHER, LOCK	SPPTVTBD200230	1		MWF1501000B	MWF1501000BA0
21	H454242A1	SPACER	SPPTVTBD200240	1		ACA45C00100	ACA45C00100A0
22	H454242B	SPACER	SPPTVTBD200250	1		MGG0000040G	MGG0000040GA0
23	H454251	CAP	SPPTVTBD200260	1		ACA45C00130	ACA45C00130A0
24	H454641	BOLT, special	SPPTVTBD200270	4		MBG0000036G	MBG0000036GA0
M1	M10006020	BOLT, hexagon	SPPTVTBD200280	1		MBA0602001B	MBA0602001BA0
M2	M10012030	BOLT, hexagon	SPPTVTBD200290	16		MBA1203002B	MBA1203002BA0
M3	M10014025	BOLT, hexagon	SPPTVTBD200300	1		MBA1402503B	MBA1402503BA0

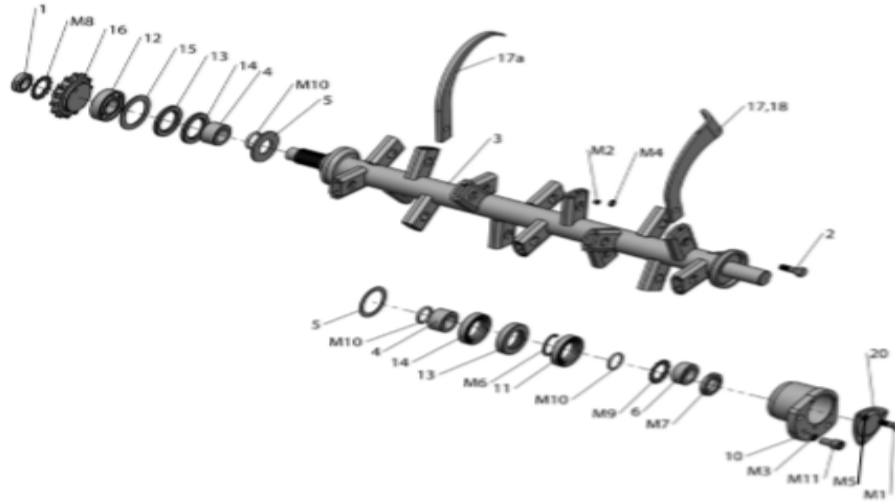
M4	M17006	NUT, hexagon	SPPTVTBD200310	1		MNA0605501B	MNA0605501BA0
M5	M30214	WASHER, wood	SPPTVTBD200320	1		MWA1603200B	MWA1603200BA0
M6	M30412	WASHER, spring	SPPTVTBD200330	8		MWL1203002G	MWL1203002GA0
M7	M30414	WASHER, spring	SPPTVTBD200340	4		MWL1403502G	MWL1403502GA0
M8	05301008018	PIN, grooved	SPPTVTBD200350	3		MPG0801800B	MPG0801800BA0
M9	M39612	PIN, dowel	SPPTVTBD200360	1		MPA1202401G	MPA1202401GA0
M10	07300005202	LINER, outside	SPPTVTBD200370	AR	0.2 mm	MGG4100200B	MGG4100200BA0
M11	07300005204	LINER, outside	SPPTVTBD200380	AR	0.4 mm	MGG4100400B	MGG4100400BA0
M12	07300005210	LINER, outside	SPPTVTBD200390	AR	1.0 mm	MGG4101000B	MGG4101000BA0

## ROTARY CHAIN CASE & SIDE CASE



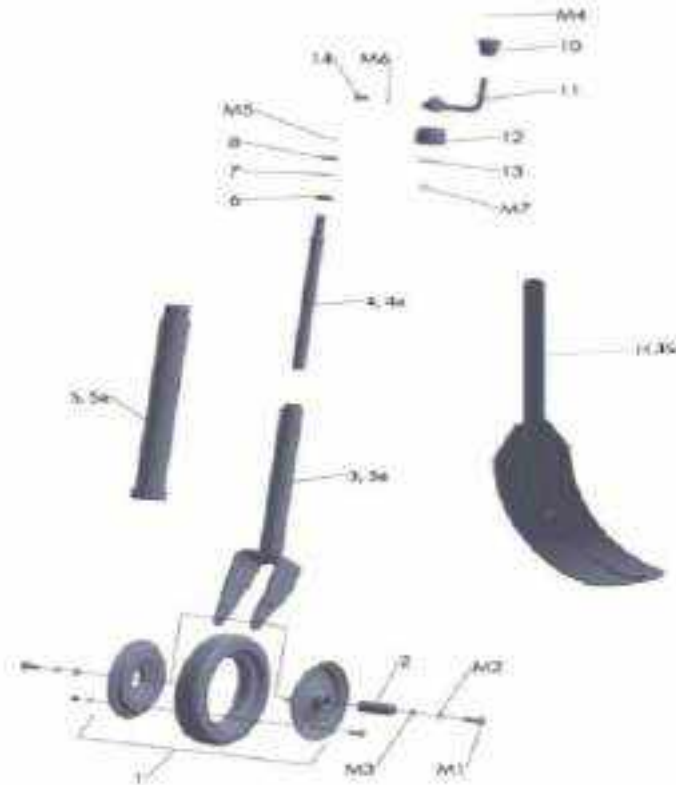
ROTARY CHAIN CASE & SIDE CASE							
SL.NO.	PART NO.	PART NAME	ERP CODE	QTY	REMARKS	Dlr Part no	SAP Part no
1	C0031000340	Drain Plug	SPPTVTBD210010	2		MUG0100003B	MUG0100003BA0
2	A9202211	Pulley, Tension	SPPTVTBD210020	1		ACA45C00220	ACA45C00220A0
3	A9203851	Plug, oiling	SPPTVTBD210030	1		ACA11C01360	ACA11C01360A0
4	A9210042	Case, rotary side	SPPTVTBD210040	1		ACA45C00240	ACA45C00240A0
5	A9210463	Case, rotary chain	SPPTVTBD210050	1		ACA45C00190	ACA45C00190A0
6	08330001001	Washer, Seal	SPPTVTBD210060	2		MWN0901800G	MWN0901800GA0
7	A932517N	Chain	SPPTVTBD210070	1	BK 640 SKK-C 3/4 P50	ACA45C00320	ACA45C00320A0
8	A932529T	O' Ring	SPPTVTBD210080	1		MRA0101000G	MRA0101000GA0
9	H45415	Cover, rotary chain case	SPPTVTBD210090	1		ACA45C00361	ACA45C00361A0
10	H45417	Packing	SPPTVTBD210100	1		ACA45C00330	ACA45C00330A0
11	C10503002X0	Tension Pulley Sub Assy	SPPTVTBD210110	1		ACA01C02520	ACA01C02520A0
11a	H45452	Shaft, tension pulley	SPPTVTBD210120	1		ACA45C00210	ACA45C00210A0
12	H454531	Arm, tension pulley	SPPTVTBD210130	2		ACA45C00200	ACA45C00200A0
13	H454541	Bush	SPPTVTBD210140	1		ACA45C00230	ACA45C00230A0
14	H45456	Pin	SPPTVTBD210150	1		MPG0802500G	MPG0802500GA0
15	H45457	Bolt, special	SPPTVTBD210160	1		MBG1006600G	MBG1006600GA0
16	H45458	Shaft, tension pulley	SPPTVTBD210170	1		ACA45C00180	ACA45C00180A0
17	H51388	Packing	SPPTVTBD210180	1		ACA11C01180	ACA11C01180A0
18	V000010	Sticker (Check oil level daily)	SPPTVTBD210190	1		ACA40C00380	ACA40C00380A0
M1	M17010	Nut, hexagon	SPPTVTBD210200	1		MNA1008001B	MNA1008001BA0
M2	M30406	Washer, spring	SPPTVTBD210210	14		MWL0601502B	MWL0601502BA0
M3	M39016015	Pin, split	SPPTVTBD210220	1	1/16"X3/4"	MTG0201500G	MTG0201500GA0
M4	05301006014	Pin, Grooved 6mm	SPPTVTBD210230	1		MPG0601400B	MPG0601400BA0
M5	M10106012	Bolt (slotted head)	SPPTVTBD210240	14		ACA98C00000	ACA98C00000A0
M6	05301008018	Pin, Grooved 8mm	SPPTVTBD210250	3		MPG0801800B	MPG0801800BA0

## ROTARY SHAFT



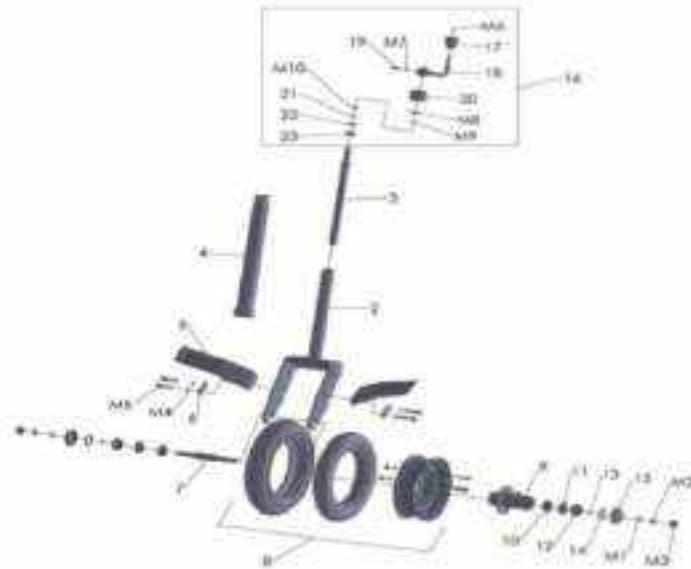
ROTARY SHAFT							
SL.NO.	PART NO.	PART NAME	ERP CODE	QTY	REMARKS	Dlr Part no	SAP Part no
1	A920108	NUT, Lock	SPPTVTBD220010	1		MNP2412000B	MNP2412000BA0
2	A920235	BOLT	SPPTVTBD220020	18		MBA1002504B	MBA1002504BA0
3	A9204912	SHAFT ASSY, rotary	SPPTVTBD220030	1	54CM (FOR VST SHAKTI 072 AND VWH 120)	ACA45A00151	ACA45A00151A0
3a	A9204921	SHAFT ASSY, rotary	SPPTVTBD220040	1	60CM (FOR VST SHAKTI 130 DI)	ACA45A00081	ACA45A00081A0
4	A920813	PIECE, distance	SPPTVTBD220050	2		ACA45C00250	ACA45C00250A0
5	A920814	SPACER	SPPTVTBD220060	2		ACA45C00030	ACA45C00030A0
6	C0050400440	SPACER (Rot. Brg Case)	SPPTVTBD220070	1		ACA45C00290	ACA45C00290A0
10	A9225481	CASE, bearing rotary (shaft)	SPPTVTBD220080	1		ACA45C00310	ACA45C00310A0
11	A932503M	BEARING, ball	SPPTVTBD220090	1		MEB0000008G	MEB0000008GA0
12	A932505E	BEARING, ball	SPPTVTBD220100	1		MEB3019000G	MEB3019000GA0
13	A932522W	SEAL, oil	SPPTVTBD220110	2		ACA11C00120	ACA11C00120A0
14	A932538E	SEAL, oil	SPPTVTBD220120	2		ACA11C00130	ACA11C00130A0
15	H43230	WASHER	SPPTVTBD220130	1		MWG5001600G	MWG5001600GA0
16	H45422	SPROCKET	SPPTVTBD220140	1	14T	ACA11C01500	ACA11C01500A0
17	H454663A	TINE (left)	SPPTVTBD220150	9	8Nos for VST SHAKTI 130 DI	ACA45C00450	ACA45C00450A0
17a	A9202772	TINE straight	SPPTVTBD220160	18	16Nos for VST SHAKTI 130DI	ACA45C00540	ACA45C00540A0
18	H454663B	TINE (right)	SPPTVTBD220170	9	8 Nos for VST SHAKTI 130 DI	ACA45C00460	ACA45C00460A0
20	A9225471	COVER	SPPTVTBD220180	1		ACA45C00270	ACA45C00270A0
	C0050400541	GASKET, cover	SPPTVTBD220190	1		ACA45C00280	ACA45C00280A0
M1	M10012035	BOLT, hexagon	SPPTVTBD220200	3		MBA1203503B	MBA1203503BA0
M2	C0050400140	NUT, Tine Bolt	SPPTVTBD220210	18	16 Nos for VST SHAKTI 130 DI	MNA1008004B	MNA1008004BA0
M3	M30406	WASHER, spring	SPPTVTBD220220	3		MWL0601502B	MWL0601502BA0
M4	M30410	WASHER, spring	SPPTVTBD220230	18	16 Nos for VST SHAKTI 130 DI	MWL1002503G	MWL1002503GA0
M5	M30412	WASHER, spring	SPPTVTBD220240	3		MWL1203002G	MWL1203002GA0
M6	6015B62	SNAP RING, inside	SPPTVTBD220250	1		MLS0000013G	MLS0000013GA0
M7	M18530	NUT, lock	SPPTVTBD220260	1		MNP3009000B	MNP3009000BA0
M8	M18624	WASHER, lock	SPPTVTBD220270	1		MWF2501200B	MWF2501200BA0
M9	M18630	WASHER, lock	SPPTVTBD220280	1		MWF3101600B	MWF3101600BA0
M10	M496301	'O' RING	SPPTVTBD220290	3		MRA0300200G	MRA0300200GA0
M11	M13906030	Screw-Rd. Hd.	SPPTVTBD220300	3		MBA0603004G	MBA0603004GA0
M12	07410006200	RING SNAP	SPPTVTBD220310	1		MLS6202000G	MLS6202000GA0

## ADJUSTABLE TAIL WHEEL (RUBBER WHEEL)



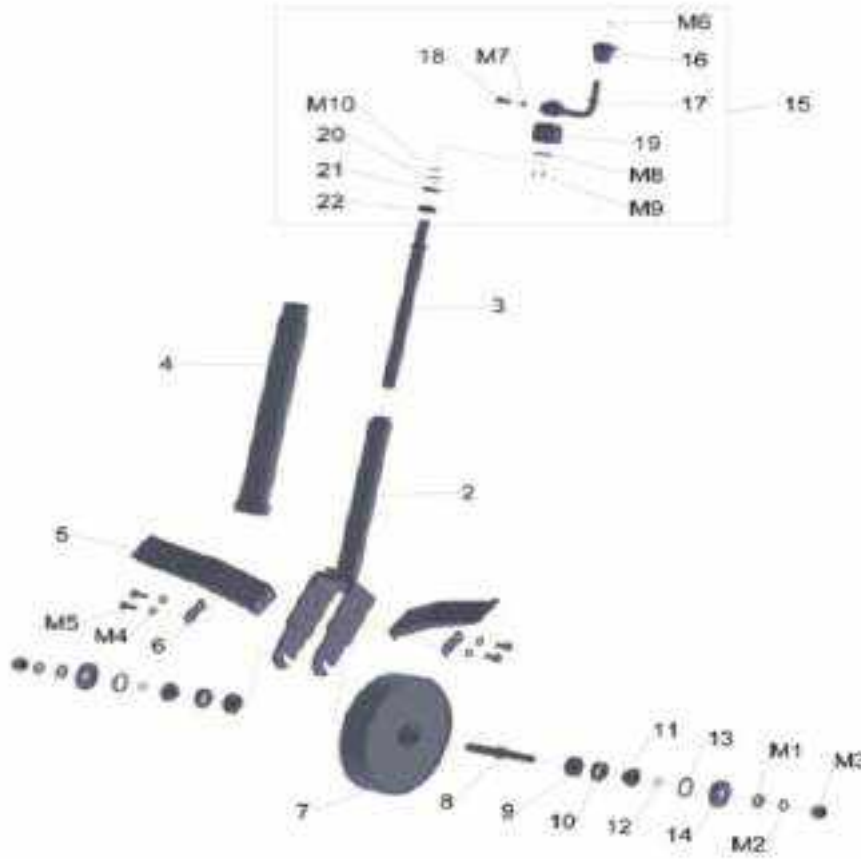
ADJUSTABLE TAIL WHEEL (RUBBER WHEEL)							
SL.NO.	PART NO.	PART NAME	ERP CODE	QTY	REMARKS	Dlr Part no	SAP Part no
1-14	C1050500110	Tail Wheel Assy (Adj.)	SPPTVTBD230010	1		ACA11A00320	ACA11A00320A0
1	C0050500130	Wheel Assy	SPPTVTBD230020	1		ACA19A00010	ACA19A00010A0
2	C1050500242	Pin Tile Wheel	SPPTVTBD230030	1		ACA11C01560	ACA11C01560A0
3	C1050500330	Tail Wheel Fork Assy For Walk Behind	SPPTVTBD230040			ACA19C00050	ACA19C00050A0
3a	C6050502220	Tail Wheel Fork Assy For Seating	SPPTVTBD230050	1		ACA19C00270	ACA19C00270A0
4	C1050500431	Shaft Assy for Walk Behind	SPPTVTBD230060	1		ACA11C01540	ACA11C01540A0
4a	C6050501030	Shaft Assy for Seating	SPPTVTBD230070	1		ACA11C01740	ACA11C01740A0
5	C1050500532	Outer Tube For Walk Behind	SPPTVTBD230080	1		ACA23C00000	ACA23C00000A0
5a	C6050501130	Outer Tube For Seating	SPPTVTBD230090	1		ACA11C01750	ACA11C01750A0
6	C1050500640	Thrust Ball Bearing	SPPTVTBD230100	1		ACA98C00550	ACA98C00550A0
7	C1050500740	Washer	SPPTVTBD230110	1		ACA98C00200	ACA98C00200A0
8	C1050501140	Washer, Lock	SPPTVTBD230120	1		ACA98C00580	ACA98C00580A0
9	C1050500831	Handle Assembly	SPPTVTBD230130	1		ACA48A00000	ACA48A00000A0
10	MA911784002	Knob	SPPTVTBD230140	1		ANA45C00440	ANA45C00440A0
11	C1050500BA1	Handle	SPPTVTBD230150	1		ACA47C00010	ACA47C00010A0
12	C10505008C	Cap Handle	SPPTVTBD230160	1		ACA01C02570	ACA01C02570A0
13	C10505008E	Washer	SPPTVTBD230170	1		ACA98C00590	ACA98C00590A0
14	C1050500940	Bolt (Special)	SPPTVTBD230180	1		ACA98C00600	ACA98C00600A0
15	C6050503400	Float Assy (for walk behind)	SPPTVTBD230190	1		GYA00A00000	GYA00A00000A0
15a	C6050503510	Float Assy for seating	SPPTVTBD230200	1		ACC45C00220	ACC45C00220A0
M1	M10010X25	Bolt (Hex. Head)	SPPTVTBD230210	2		MBA1002502B	MBA1002502BA0
M2	M30410	Spring Washer	SPPTVTBD230220	2		MWL1002503G	MWL1002503GA0
M3	M30010	Plain Washer	SPPTVTBD230230	2		MWA1101600B	MWA1101600BA0
M4	07400101000	Snap Ring	SPPTVTBD230240	1		MLS1001002B	MLS1001002BA0
M5	07400001700	Snap Ring	SPPTVTBD230250	1		MLS1701001B	MLS1701001BA0
M6	M30408	Spring Washer	SPPTVTBD230260	1		MWL0802003G	MWL0802003GA0
M7	M13903010	Screw	SPPTVTBD230270	2		MSG0301002G	MSG0301002GA0

## ADJUSTABLE TAIL WHEEL (TYRE WHEEL) FOR SEATING



ADJUSTABLE TAIL WHEEL (TYRE WHEEL) FOR SEATING							
SL.NO.	PART NO.	PART NAME	ERP CODE	QTY	REMARKS	Dir Part no	SAP Part no
1	C6050500100	Tail Wheel Assy (Tyre Wheel)	SPPTVTBD240010	1		ACC45A00050	ACC45A00050A0
2	C6050500910	Tail Wheel Fork Assy	SPPTVTBD240020	1		ACA19C00240	ACA19C00240A0
3	C6050501030	Shaft Screw Rod	SPPTVTBD240030	1		ACA11C01740	ACA11C01740A0
4	C6050501130	Outer Tube	SPPTVTBD240040	1		ACA11C01750	ACA11C01750A0
5	C6050502830	Foot Rest	SPPTVTBD240050	2		ACA28C00010	ACA28C00010A0
6	C6050501640	Plate Foot Rest	SPPTVTBD240060	2		ACA28C00020	ACA28C00020A0
7	C6050501930	Shaft	SPPTVTBD240070	1		ACA11C01770	ACA11C01770A0
8	C60505025X0	Tyre & Tube Assy (Wheel Assy)	SPPTVTBD240080	1		ACA19A00020	ACA19A00020A0
9	C6050502030	Hub	SPPTVTBD240090	1		ACA19C00250	ACA19C00250A0
10	07500062030	Ball Bearing	SPPTVTBD240100	2		MEB1712000G	MEB1712000GA0
11	08411254010	Oil Seal	SPPTVTBD240110	2		MGG0000048G	MGG0000048GA0
12	C6050502440	Oil Seal Holder	SPPTVTBD240120	2		ACA19C00110	ACA19C00110A0
13	08300110170	O-Ring	SPPTVTBD240130	2		MRA0171900G	MRA0171900GA0
14	C6050501240	Felt Ring	SPPTVTBD240140	2		ACA16C00270	ACA16C00270A0
15	C6050501740	Dust Cover	SPPTVTBD240150	2		ACA19C00230	ACA19C00230A0
16	C1050500831	Handle Assembly	SPPTVTBD240160	1 Set		ACA48A00000	ACA48A00000A0
17	MA911784002	Knob	SPPTVTBD240170	1		ANA45C00440	ANA45C00440A0
18	C1050500BA1	Handle	SPPTVTBD240180	1		ACA47C00010	ACA47C00010A0
19	C1050500940	Bolt (Special)	SPPTVTBD240190	1		ACA98C00600	ACA98C00600A0
20	C10505008C1	Cap Handle	SPPTVTBD240200	2		ACA47C00020	ACA47C00020A0
21	C1050501140	Washer Lock	SPPTVTBD240210	1		ACA98C00580	ACA98C00580A0
22	C1050500740	Washer Nylon	SPPTVTBD240220	1		ACA98C00200	ACA98C00200A0
23	C1050500640	Thrust Ball Beatung	SPPTVTBD240230	1		ACA98C00550	ACA98C00550A0
M1	M30016	Washer Plain	SPPTVTBD240240	2		MWA1600000G	MWA1600000GA0
M2	M30416	Washer Spring	SPPTVTBD240250	2		MWL1604002G	MWL1604002GA0
M3	M17016	Nut Hex.	SPPTVTBD240260	2		MNA1600000G	MNA1600000GA0
M4	M304010	Washer Spring	SPPTVTBD240270	4		MWL0601502B	MWL0601502BA0
M5	M10010016	Bolt Hex. Head	SPPTVTBD240280	4		MBA1001601B	MBA1001601BA0
M6	07400101000	Ring Snap	SPPTVTBD240290	1		MLS1001002B	MLS1001002BA0
M7	M30408	Washer Spring	SPPTVTBD240300	1		MWL0802003G	MWL0802003GA0
M8	C10505008E	Washer	SPPTVTBD240310	1		ACA98C00590	ACA98C00590A0
M9	M13903	Screw Cheese Head	SPPTVTBD240320	2		MSG0300000G	MSG0300000GA0
M10	0740001700	Snap Ring	SPPTVTBD240330	1		MLS1700000G	MLS1700000GA0

## ADJUSTABLE TAIL WHEEL (METAL WHEEL) FOR SEATING

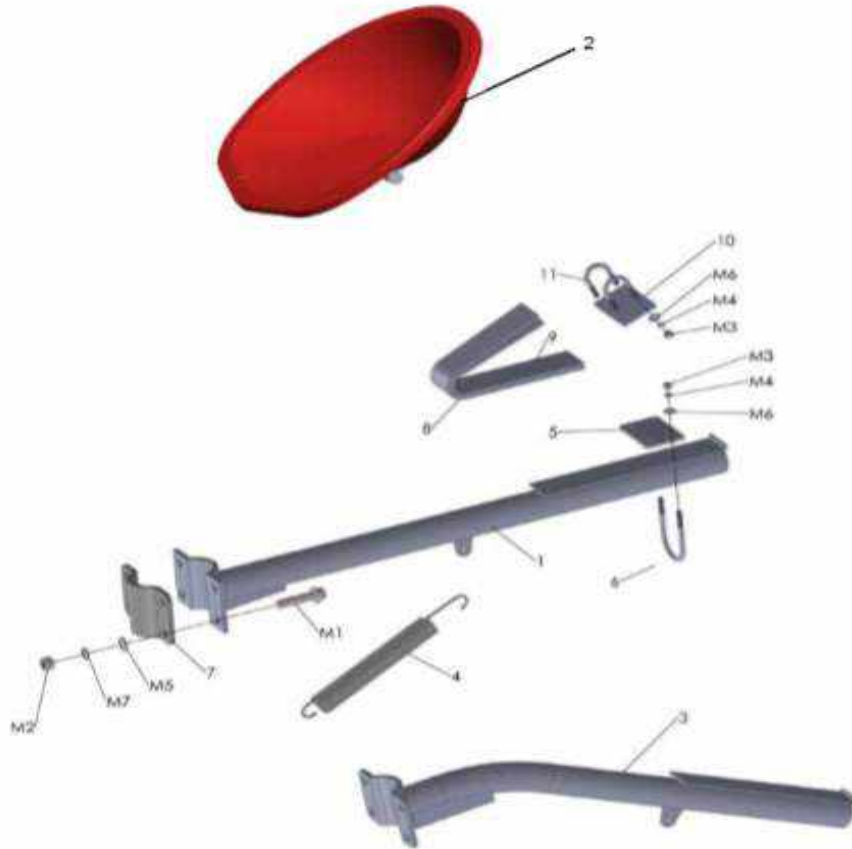


ADJUSTABLE TAIL WHEEL (METAL WHEEL) FOR SEATING							
SL.NO.	PART NO.	PART NAME	ERP CODE	QTY	REMARKS	Dlr Part no	SAP Part no
1	C6050500210	Tail Wheel Assy (Tyre Wheel)	SPPTVTBD250010	1		ACC45A00060	ACC45A00060A0
2	C6050502220	Tail Wheel Fork Assy	SPPTVTBD250020	1		ACA19C00270	ACA19C00270A0
3	C6050501030	Shaft Screw Rod	SPPTVTBD250030	1		ACA11C01740	ACA11C01740A0
4	C6050501130	Outer Tube	SPPTVTBD250040	1		ACA11C01750	ACA11C01750A0
5	C6050502830	Foot Rest	SPPTVTBD250050	2		ACA28C00010	ACA28C00010A0
6	C6050501640	Plate Foot Rest	SPPTVTBD250060	2		ACA28C00020	ACA28C00020A0
7	C6050501320	Metal Wheel	SPPTVTBD250070	1		ACA19C00220	ACA19C00220A0
8	C605002340	Shaft	SPPTVTBD250080	1		ACA11C01780	ACA11C01780A0
9	07500062030	Ball Bearing	SPPTVTBD250090	2		MEB1712000G	MEB1712000GA0
10	08411254010	Oil Seal	SPPTVTBD250100	2		MGG0000048G	MGG0000048GA0
11	C6050502440	Oil Seal Holder	SPPTVTBD250110	2		ACA19C00110	ACA19C00110A0
12	08300110170	O-Ring	SPPTVTBD250120	2		MRA0171900G	MRA0171900GA0
13	C6050501240	Felt Ring	SPPTVTBD250130	2		ACA16C00270	ACA16C00270A0
14	C6050501740	Dust Cover	SPPTVTBD250140	2		ACA19C00230	ACA19C00230A0
15	C1050500831	Handle Assembly	SPPTVTBD250150	1 Set		ACA48A00000	ACA48A00000A0
16	MA911784002	Knob	SPPTVTBD250160	1		ANA45C00440	ANA45C00440A0
17	C1050500BA1	Handle	SPPTVTBD250170	1		ACA47C00010	ACA47C00010A0
18	C1050500940	Bolt (Special)	SPPTVTBD250180	1		ACA98C00600	ACA98C00600A0
19	C10505008C1	Cap Handle	SPPTVTBD250190	2		ACA47C00020	ACA47C00020A0
20	C1050501140	Washer Lock	SPPTVTBD250200	1		ACA98C00580	ACA98C00580A0
21	C1050500740	Washer Nylon	SPPTVTBD250210	1		ACA98C00200	ACA98C00200A0

22	C1050500640	Thrust Ball Beatung	SPPTVTBD250220	1		ACA98C00550	ACA98C00550A0
M1	M30016	Washer Plain	SPPTVTBD250230	2		MWA1600000G	MWA1600000GA0
M2	M30416	Washer Spring	SPPTVTBD250240	2		MWL1604002G	MWL1604002GA0
M3	M17016	Nut Hex.	SPPTVTBD250250	2		MNA1600000G	MNA1600000GA0
M4	M304010	Washer Spring	SPPTVTBD250260	4		MWL0601502B	MWL0601502BA0
M5	M10010016	Bolt Hex. Head	SPPTVTBD250270	4		MBA1001601B	MBA1001601BA0
M6	07400101000	Ring Snap	SPPTVTBD250280	1		MLS1001002B	MLS1001002BA0
M7	M30408	Washer Spring	SPPTVTBD250290	1		MWL0802003G	MWL0802003GA0
M8	C10505008E	Washer	SPPTVTBD250300	1		ACA98C00590	ACA98C00590A0
M9	M13903	Screw Cheese Head	SPPTVTBD250310	2		MSG0300000G	MSG0300000GA0
M10	0740001700	Snap Ring	SPPTVTBD250320	1		MLS1700000G	MLS1700000GA0

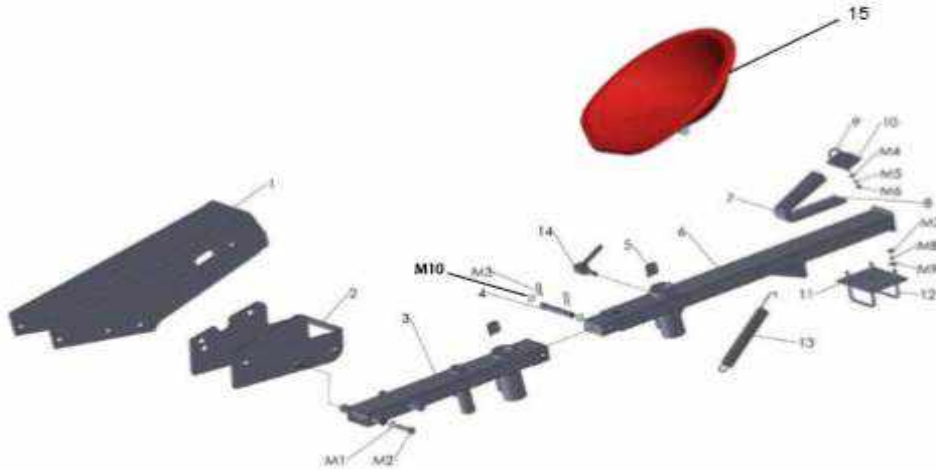


## ROTARY MOUNTED SEATING ARRANGEMENT



ROTARY MOUNTED SEATING ARRANGEMENT							
SL.NO.	PART NO.	PART NAME	ERP CODE	QTY	REMARKS	Dir Part no	SAP Part no
1	C6050500310	Pipe Assy Seat	SPPTVTBD260010	1		ACD45A00030	ACD45A00030A0
2	C60505004X0	Seat Assembly Tiller	SPPTVTBD260020	1		ACC45A00040	ACC45A00040A0
3	C6050500510	Pipe Assy Bend Seat	SPPTVTBD260030	1		ACD45A00040	ACD45A00040A0
4	C6050500630	Spring Seating	SPPTVTBD260040	1		ACC45C00210	ACC45C00210A0
5	C6050500740	Plate Clamping (96x50)	SPPTVTBD260050	1		ACD45C00110	ACD45C00110A0
6	C6050500840	U Bolt (seat clamping)	SPPTVTBD260060	2		ACD45C00120	ACD45C00120A0
7	C6050500940	Holder	SPPTVTBD260070	1		ACA19C00260	ACA19C00260A0
8	C6050501030	Angle plate-1	SPPTVTBD260080	1		ACA11C01740	ACA11C01740A0
9	C6050501130	Angle plate-2	SPPTVTBD260090	1		ACA11C01750	ACA11C01750A0
10	C6050501240	Plate Clamping (53x75)	SPPTVTBD260100	1		ACA16C00270	ACA16C00270A0
11	C6050501340	U Bolt Sating	SPPTVTBD260110	2		ACA98C00140	ACA98C00140A0
M1	M10012045	Flange Bolt	SPPTVTBD260120	4		MBA1204500B	MBA1204500BA0
M2	M17012	Nut Hexogan	SPPTVTBD260130	4		MNA1210002B	MNA1210002BA0
M3	M17008	Nut Hexogan	SPPTVTBD260140	8		MNA0806000B	MNA0806000BA0
M4	M30408	Washer Spring	SPPTVTBD260150	8		MWL0802003G	MWL0802003GA0
M5	M30412	Washer Spring	SPPTVTBD260160	4		MWL1203002G	MWL1203002GA0
M6	M30008	Washer Plain	SPPTVTBD260170	8		MWA0801602G	MWA0801602GA0
M7	M30012	Washer Plain	SPPTVTBD260180	4		MWA1302300B	MWA1302300BA0

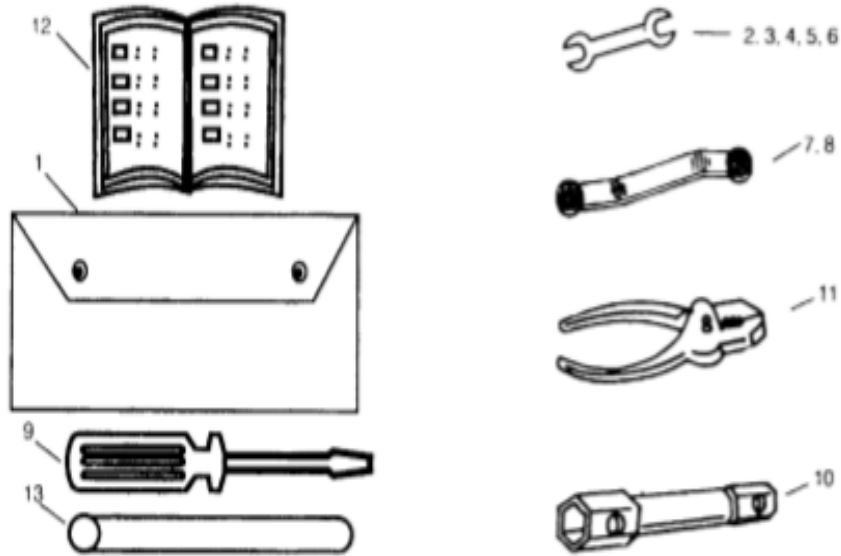
## HANDLE CHASSIS MOUNTED SEATING ARRANGEMENT



HANDLE CHASSIS MOUNTED SEATING ARRANGEMENT							
SL.NO.	PART NO.	PART NAME	ERP CODE	QTY	REMARKS	Dir Part no	SAP Part no
1	C1040100900	Handle Chassies	SPPTVTBD270010	1		ACC11C00010	ACC11C00010A0
2	C1040100210	Box Bracket	SPPTVTBD270020	1		ACC45C00140	ACC45C00140A0
3	C1040100310	Support Channel	SPPTVTBD270030	1		ACC45C00150	ACC45C00150A0
4	C1040100840	Pin Seating	SPPTVTBD270040	1		ACC45C00170	ACC45C00170A0
5	C1050101340	Shoe	SPPTVTBD270050			ACC45C00180	ACC45C00180A0
6	C1040100410	Support Channel Rear	SPPTVTBD270060	1		ACC45C00160	ACC45C00160A0
7	C6050501030	Angle plate-1	SPPTVTBD270070	1		ACA11C01740	ACA11C01740A0
8	C6050501130	Angle plate-2	SPPTVTBD270080	1		ACA11C01750	ACA11C01750A0
9	C6050501340	U Bolt Seat Assy	SPPTVTBD270090	2		ACA98C00140	ACA98C00140A0
10	C6050501240	Plate Clamping (53x75)	SPPTVTBD270100	1		ACA16C00270	ACA16C00270A0
11	C1040100640	Plate Clamping (135x115)	SPPTVTBD270110	1		ACC45C00190	ACC45C00190A0
12	C1040100740	U Bolt Seating	SPPTVTBD270120	2		ACC45C00200	ACC45C00200A0
13	C60505004X0	Seat Assy	SPPTVTBD270130	1		ACC45A00040	ACC45A00040A0
14	A22386	Clamp Lever Assy	SPPTVTBD270140	1		ACA11C02190	ACA11C02190A0
15	C60505004X0	Seat Assembly Tiller	SPPTVTBD270150	1		ACC45A00040	ACC45A00040A0
M1	M30012	Washer Plain	SPPTVTBD270160	4		MWA1302300B	MWA1302300BA0
M2	M10012040	Bolt Hex. Head	SPPTVTBD270170	4		MBA1204002B	MBA1204002BA0
M3	0521010600	Pin Snap	SPPTVTBD270180	2		MPS1221200B	MPS1221200BA0

M4	M30008	Washer Plain	SPPTVTBD270190	4		MWA0801602G	MWA0801602GA0
M5	M30408	Washer Spring	SPPTVTBD270200	4		MWL0802003G	MWL0802003GA0
M6	M17008	NUT Hexogan	SPPTVTBD270210	4		MNA0806000B	MNA0806000BA0
M7	M17008	NUT Hexogan	SPPTVTBD270220	4		MNA0806000B	MNA0806000BA0
M8	M30408	Washer Spring	SPPTVTBD270230	4		MWL0802003G	MWL0802003GA0
M9	M30008	Washer Plain	SPPTVTBD270240	4		MWA0801602G	MWA0801602GA0
M10	M30016	Washer Plain	SPPTVTBD270250	2		MWA1600000G	MWA1600000GA0

## SERVICE TOOLS



SERVICE TOOLS							
SL.NO.	PART NO	PART NAME		MODEL	REMARKS	Dir Part no	SAP Part no
				QTY.			
			ERP CODE	VST 130DI			
1	C0040200220	Tool bag	SPPTVTBD280010	1		ACA99C00470	ACA99C00470A0
2	M90010x11	D.E. Spanner	SPPTVTBD280020	1		ACA99C00390	ACA99C00390A0
3	M90012x13	D.E. Spanner	SPPTVTBD280030	1		ACA99C00400	ACA99C00400A0
4	M90016x17	D.E. Spanner	SPPTVTBD280040	1		ACA99C00410	ACA99C00410A0
5	M90018x19	D.E. Spanner	SPPTVTBD280050	1		ACA99C00420	ACA99C00420A0
6	M90021x23	D.E. Spanner	SPPTVTBD280060	1		ACA99C00430	ACA99C00430A0
7	M90314x17	Ring Spanner	SPPTVTBD280070	1		ACA99C00440	ACA99C00440A0
8	M90317x19	Ring Spanner	SPPTVTBD280080	1		ACA99C00450	ACA99C00450A0
9	A932618	Screw Driver	SPPTVTBD280090	1		ACA99C00340	ACA99C00340A0
10	M90418x22	Box Spanner	SPPTVTBD280100	1		ACA99C00460	ACA99C00460A0
11	A932615	Monkey Plier	SPPTVTBD280110	1		ACA99C00360	ACA99C00360A0
12	V00116000X0	Parts Catalogue	SPPTVTBD280120	1		ACA99C00090	ACA99C00090A0
13	H43363	Handle Bar (Tommy)	SPPTVTBD280130	1		ACA45C00430	ACA45C00430A0
14	C0060900340	Oil Can	SPPTVTBD280140	1		ACA01C02540	ACA01C02540A0